

# 1394.1 Contributions

---

October 14, 1999

Dr. David V. James  
dvj@alum.mit.edu

# Recent contributions

- BR047R08: Cumulative contributions
- BR060R01: First/Final/DeltaWrite (also read & swap)
- BR061R01: Response packet formats
- BR062R01: Isochronous connections
- BR063R01: Serial Bus services (Surreal interconnects)
- BR064R01: Hiperlan directions (informative)
- BR065R01: Clock synchronization (raw and cooked)
- BR066R01: Bus addressing (virtual IDs optional)
- BR067R01: Vocabulary (reserved and prime-alpha)
- BR068R01: Mergable events (avoids congestion loss)
- BR069R01: Quarantine (using FirstWrite/FinalWrite)
- BR070R01: Net refresh (starting from “scratch”)

# Bridge aware nodes (early stabilized annex)

Leaf-bus simplified:

#Discovery: local portal=>bus, local bus=>node

#BR060R00: (net reset) subset and refine

BR065R00: Clock synchronization (raw and cooked)

General requirements:

BR062R00: Isochronous connections

BR069R00: Quarantine (using FirstWrite/FinalWrite)

BR068R00: Merged events (avoids congestion loss)

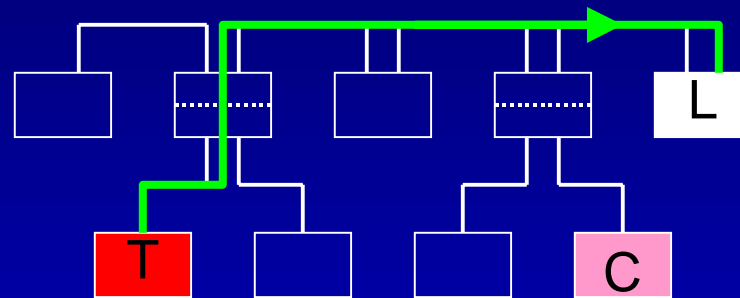


# Isochronous connections

---

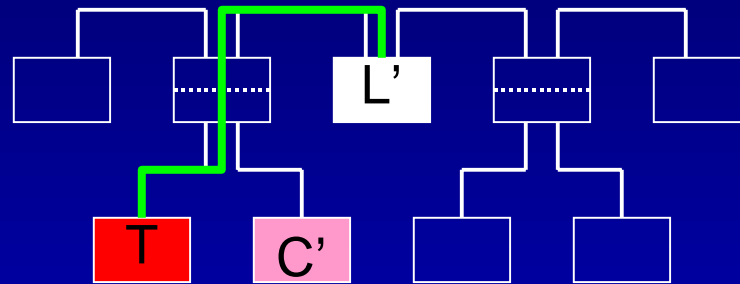
(one talker & multiple listeners)

# Isochronous connection (A)



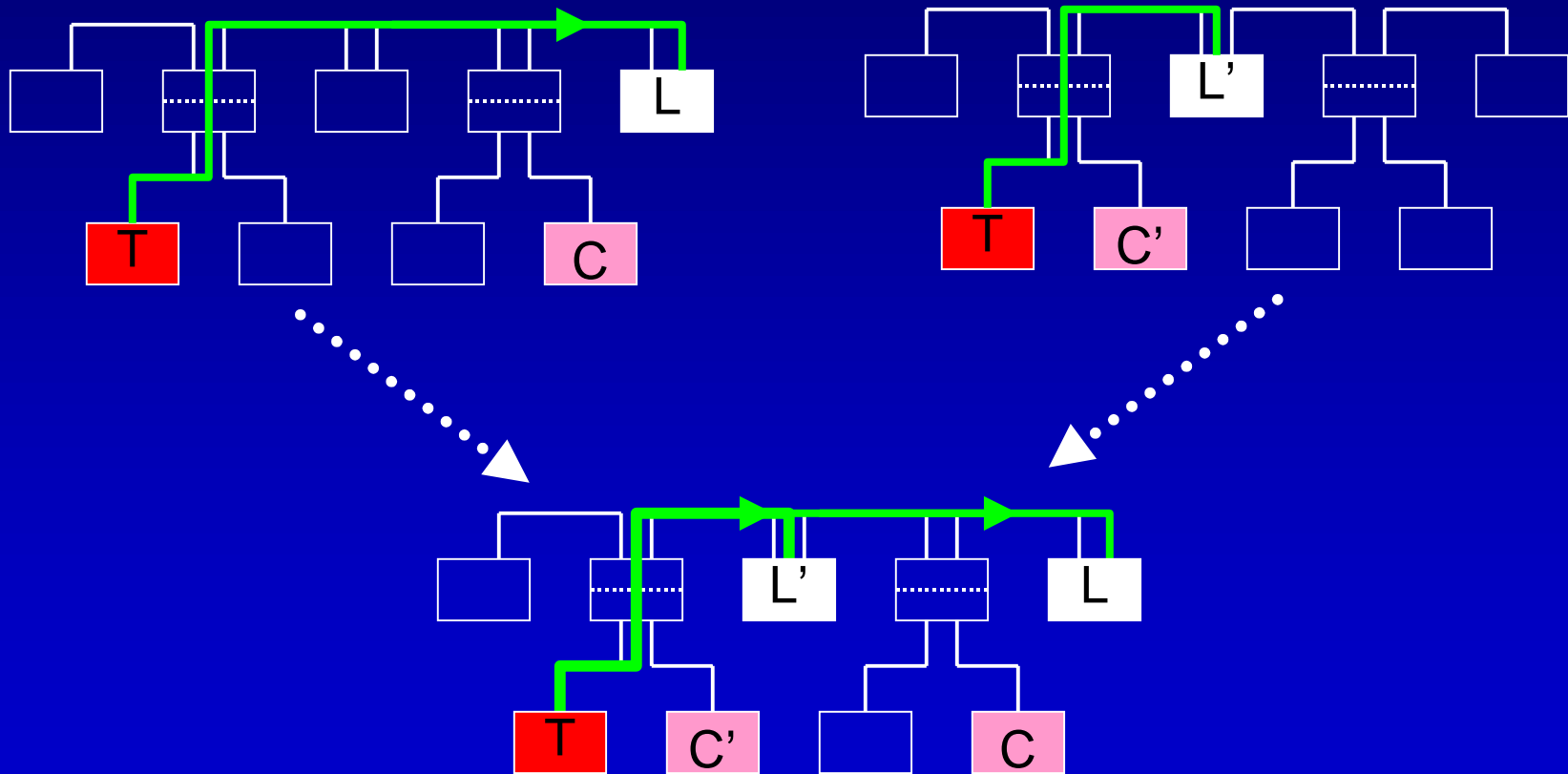
Connection assumptions:  
controller, talker, listener anywhere  
disconnect if any are "lost"  
async: channel but no bandwidth

# Isochronous connection (B)

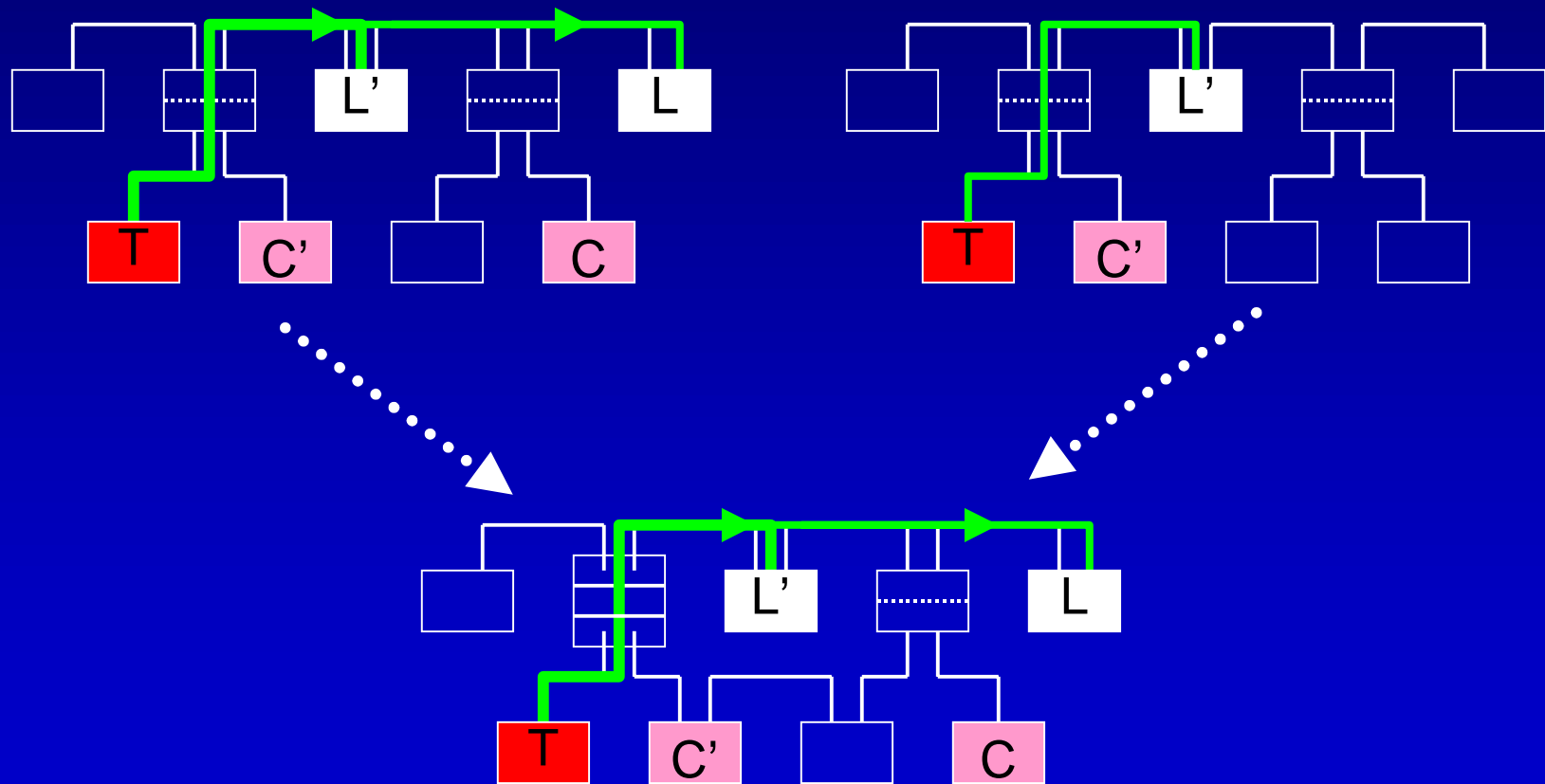


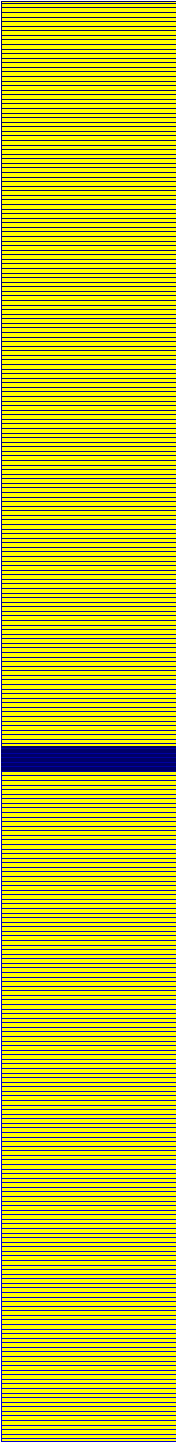
Common connection:  
same talkerEui/selectID  
distinct controller listener nodes  
(example: common listener bus)

# Overlaid connections



# Persistent connections





# Source quarantine

---

(bridge-aware)

# Quarantine detection/removal (aware requester)



Quarantined requester:

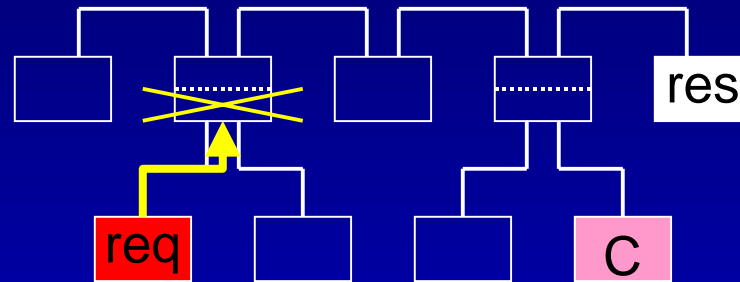
- request accepted, response returned
- distinct rcode/scode identifies problem

Quarantine release:

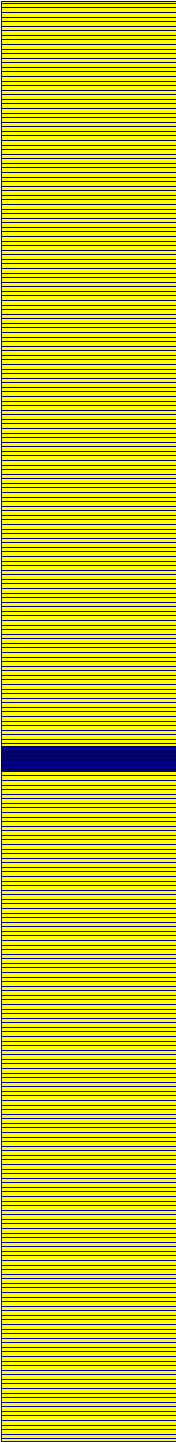
- FirstSwap transaction clears quarantine  
(sequence number possible)



# Quarantine detection (legacy)



Quarantined requester (the same):  
request accepted, response returned  
distinct rcode/scode indicates the problem

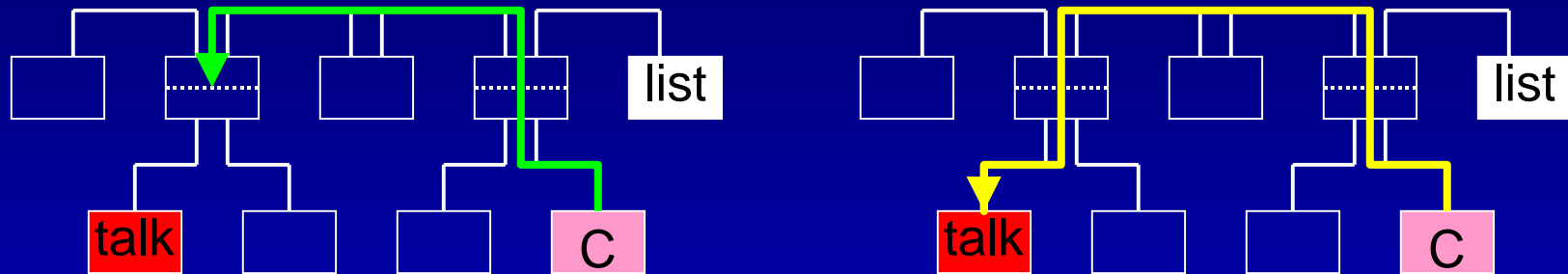


# Source quarantine

---

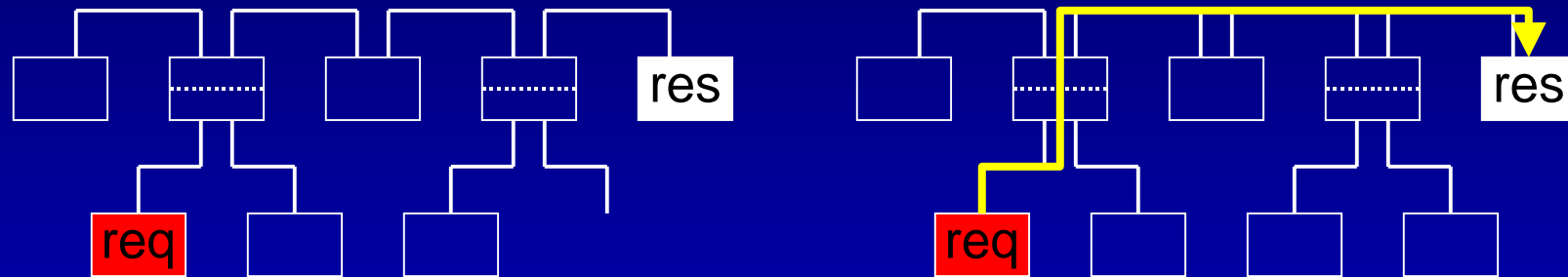
(legacy)

# Quarantine recovery (legacy)



Quarantine recovery:  
FinalSwap transaction clears quarantine  
Consumer reactivates the talker

# Unquarantined remote request



Quarantine release:

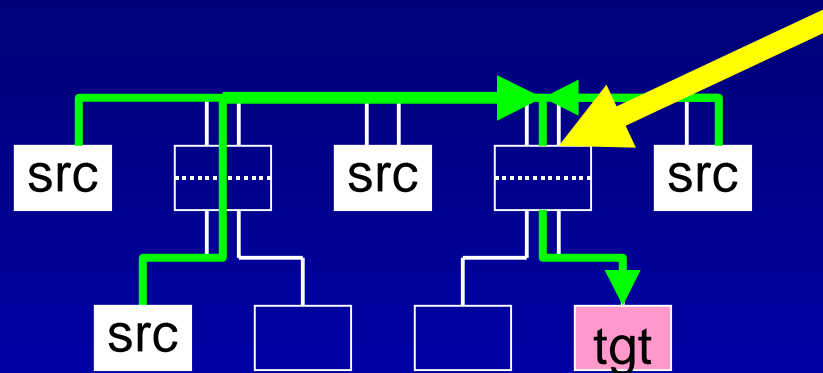
Discard EUI-to-nodeID translations  
(or ignore, based on sequence number)



# Event merging

---

# GASP event overload



4 input with one output,  
so something is lost

# Merged event parameters

