

A

B

C

D

4

4

3

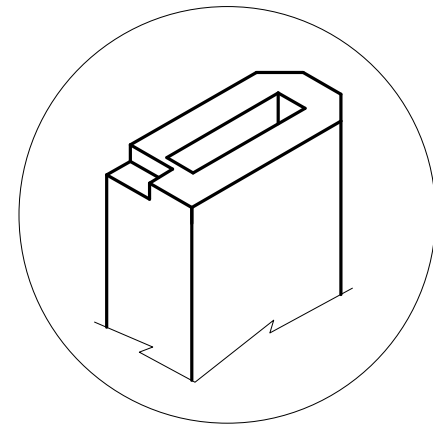
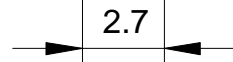
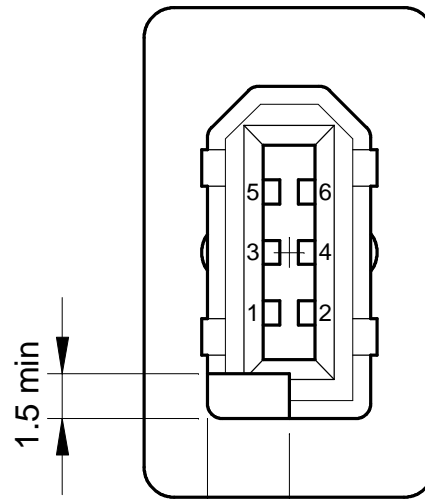
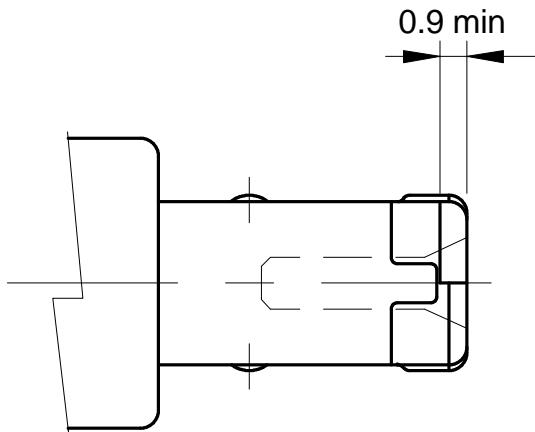
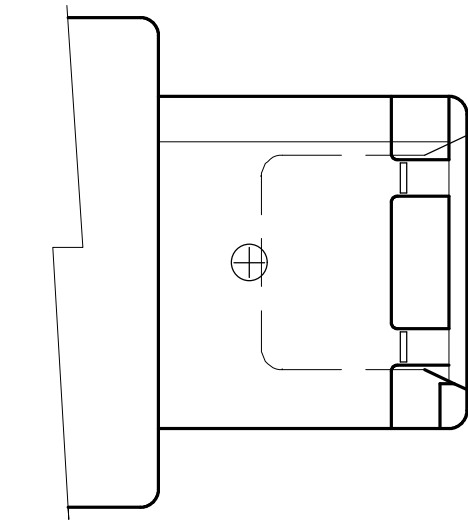
3

2

2

1

1



**NOTES**

1 - Unless otherwisw specified, tolerances are +/- 0.15, +/- 2 deg

TITLE		IEEE1394b S800 Plug	
DRAWING No.		SCALE	n/a
PART No.		PROJECTION	
DRAWN BY	DATE		
K. SAITO	12/04/98		

A

B

C

D

A

B

C

D

4

4

3

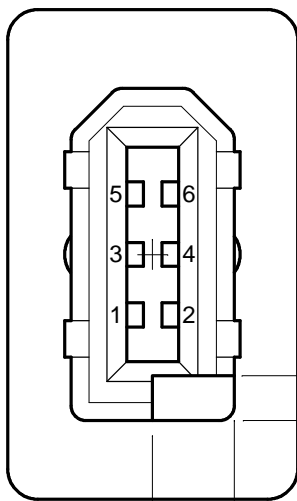
3

2

2

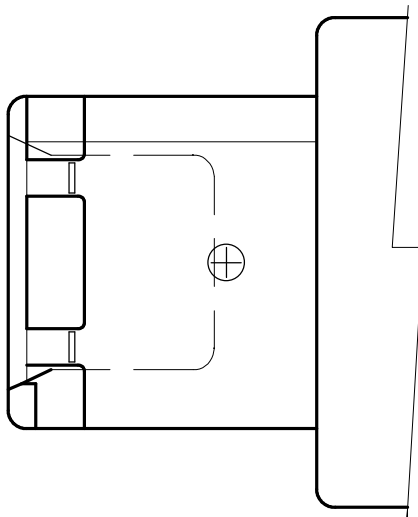
1

1

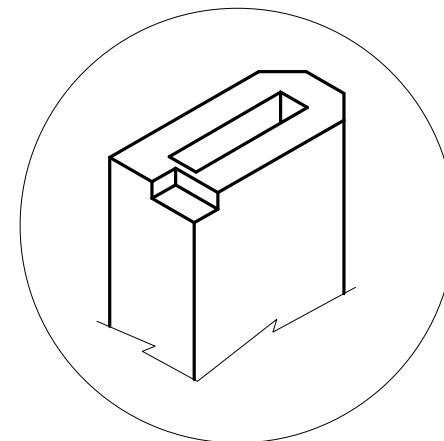
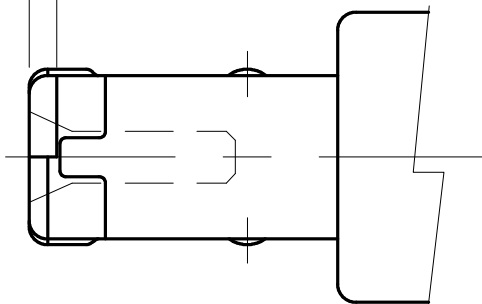


2.7

1.5 min



0.9 min



**NOTES**

1 - Unless otherwise specified, tolerances are +/- 0.15, +/- 2 deg

TITLE		IEEE1394b S1600 Plug	
DRAWING No.		SCALE	n/a
PART No.		PROJECTION	
DRAWN BY	DATE		
K. SAITO	12/04/98		

A

B

C

D