

# **Connection scenarios between S100 and S800**

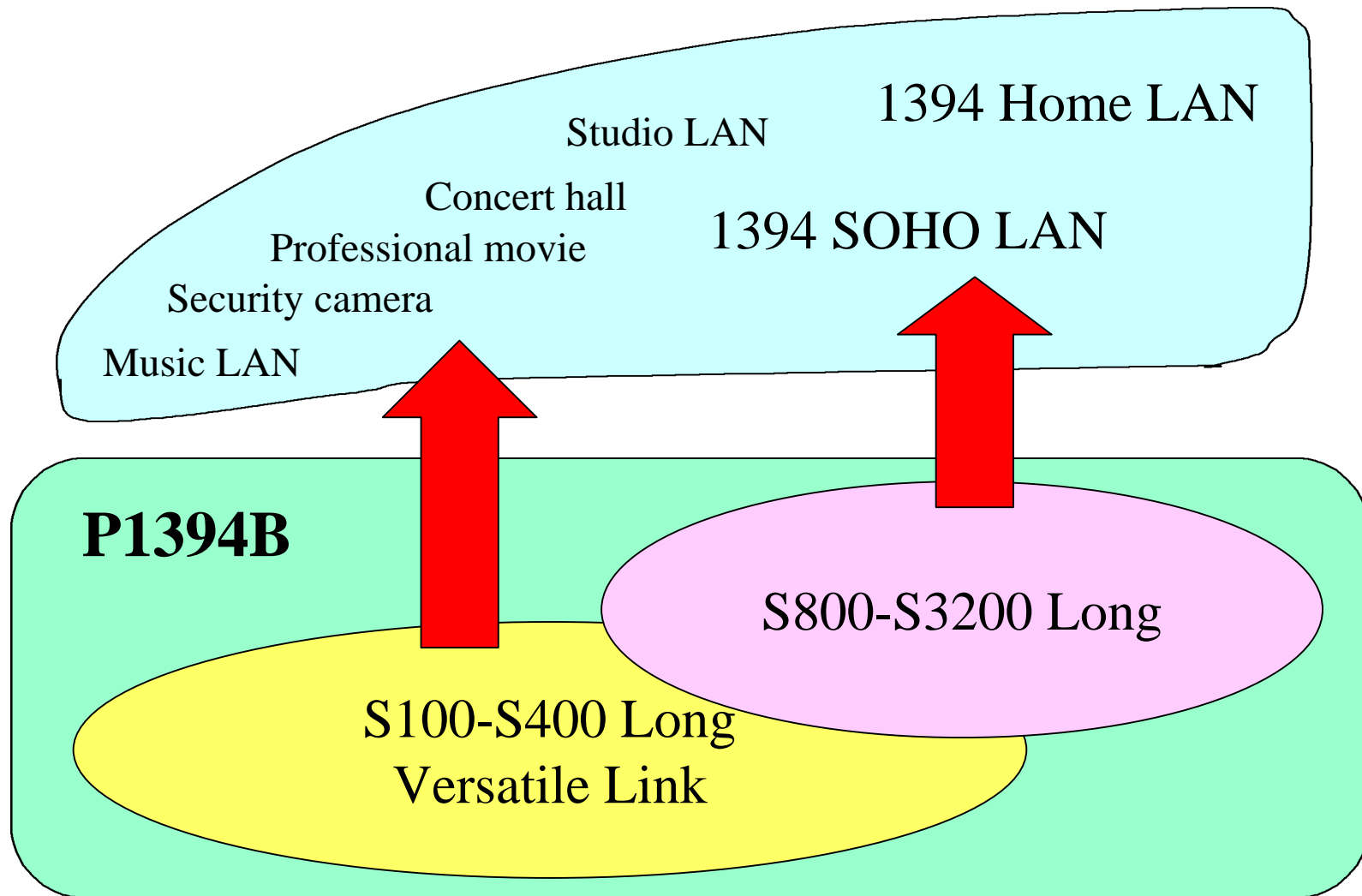
12/2/1997

P1394B

S100 POF/HPCF PMD Sub TG

**N E C**

Shuntaro Yamazaki



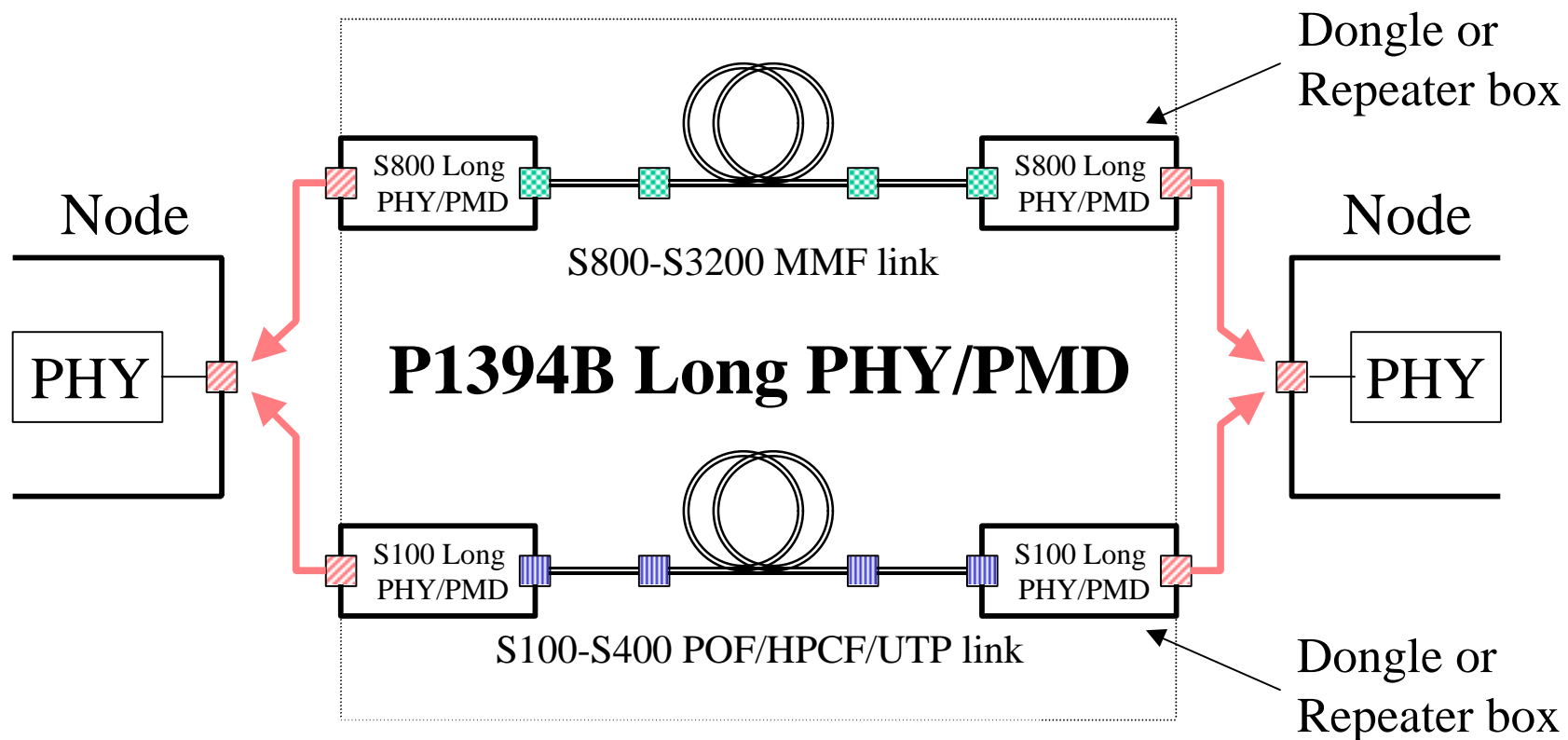
FY1998





FY2000

FY2010

NEC

# Connection scenarios between S100 and S800 (1)

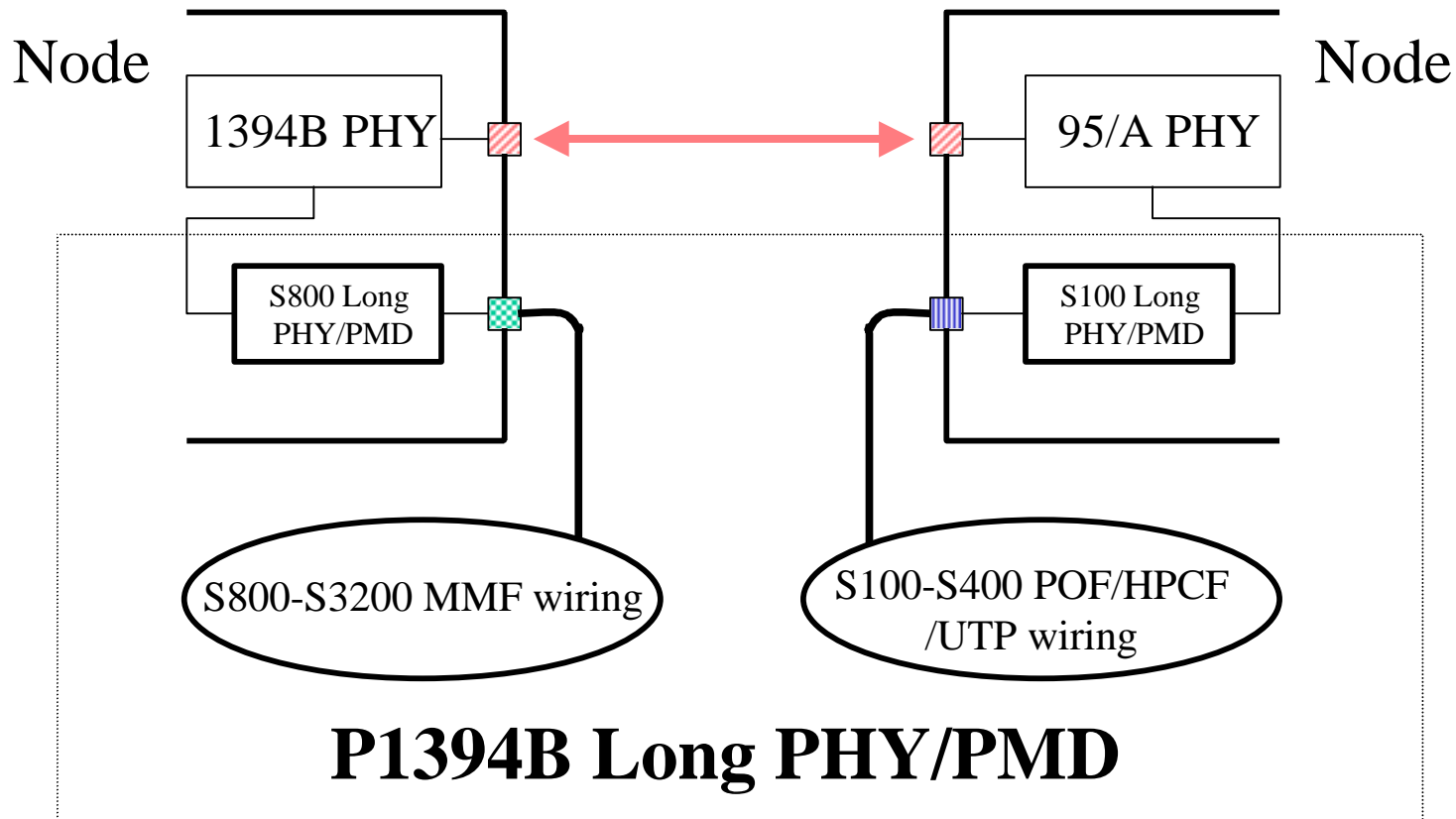



-  1394-95/A connector
-  S800 long connector
-  S100 long connector
-  Copper 4.5m

**Must be different**

NEC

# Connection scenarios between S100 and S800 (2)



 1394-95/A connector

 S800 long connector

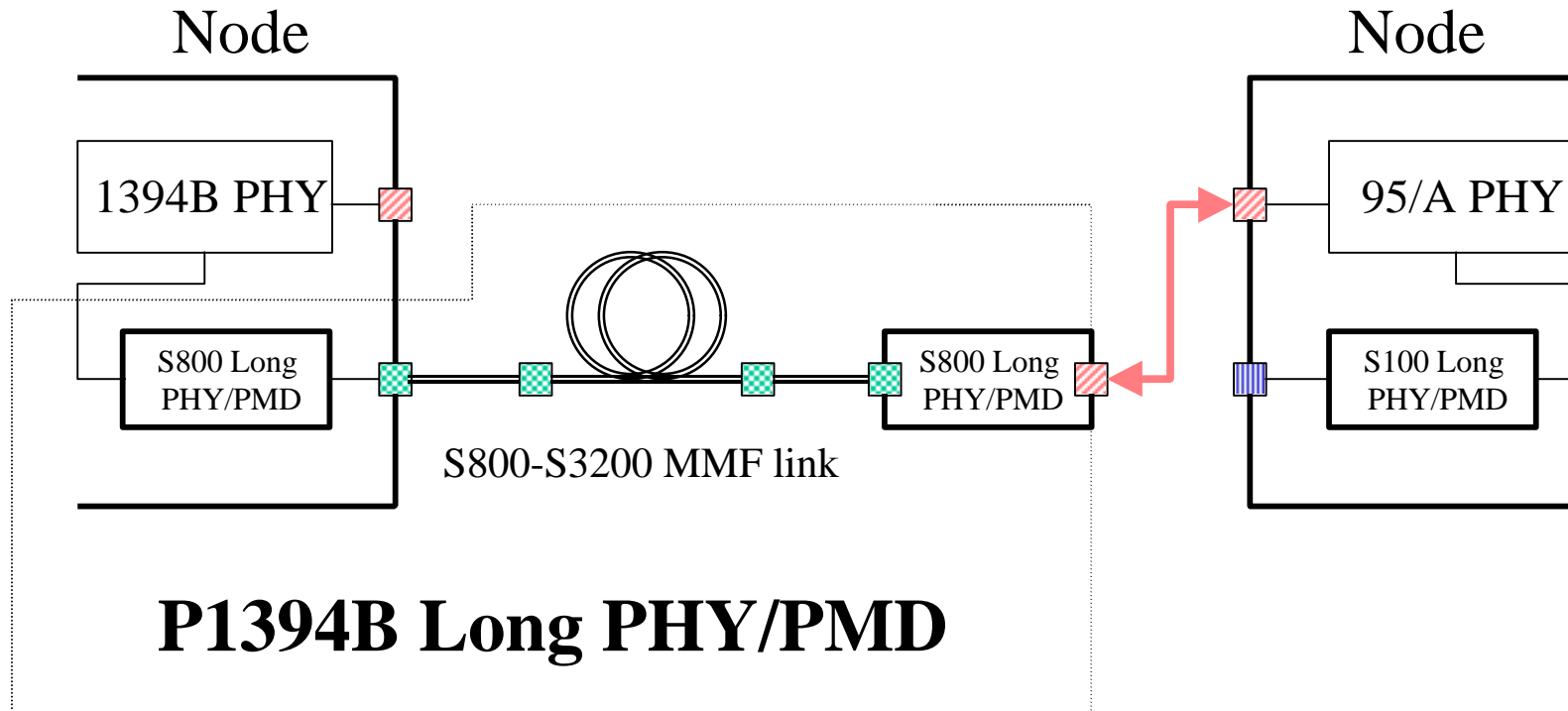
 S100 long connector





 Copper 4.5m

 **Must be different**

NEC

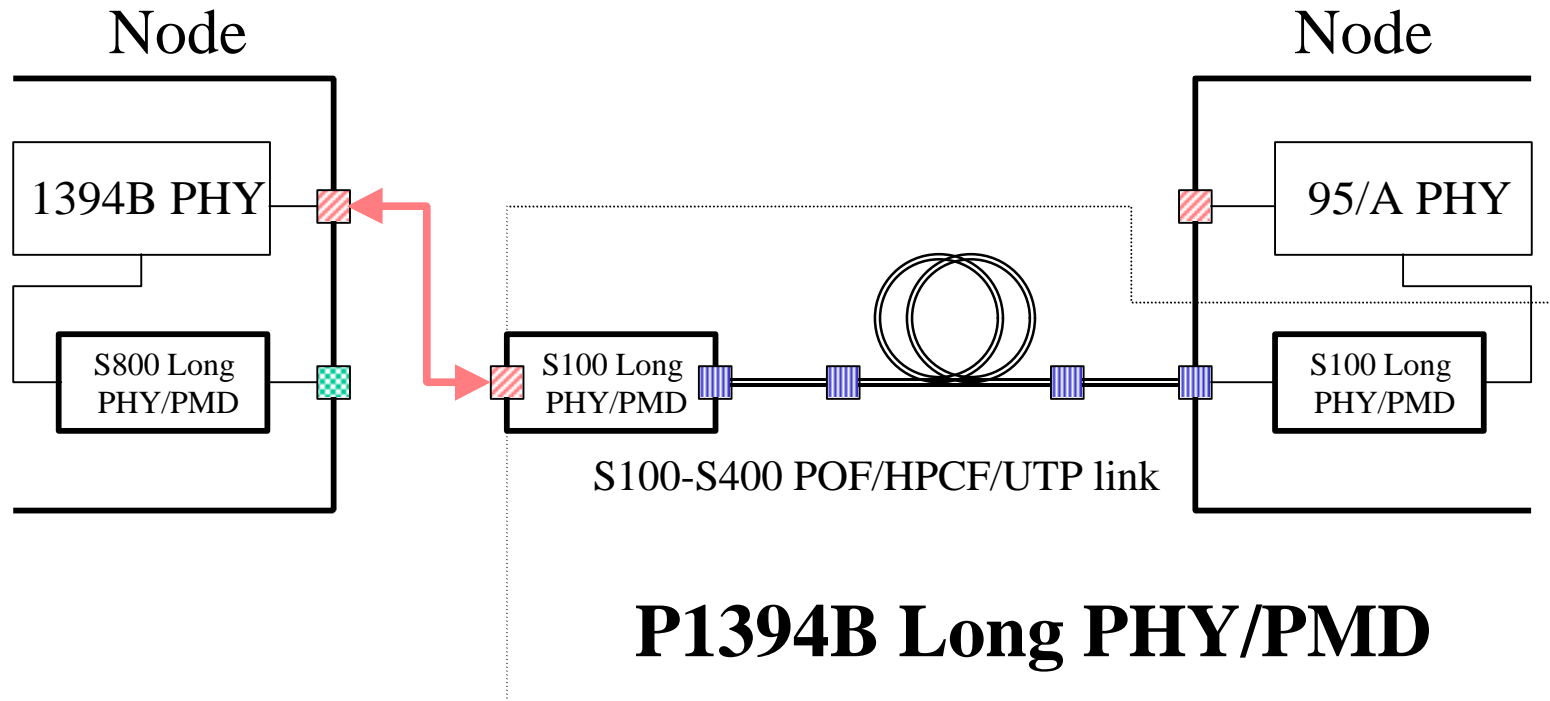
# Connection scenarios between S100 and S800 (3)







-  1394-95/A connector
-  S800 long connector
-  S100 long connector
-  Copper 4.5m

 **Must be different**

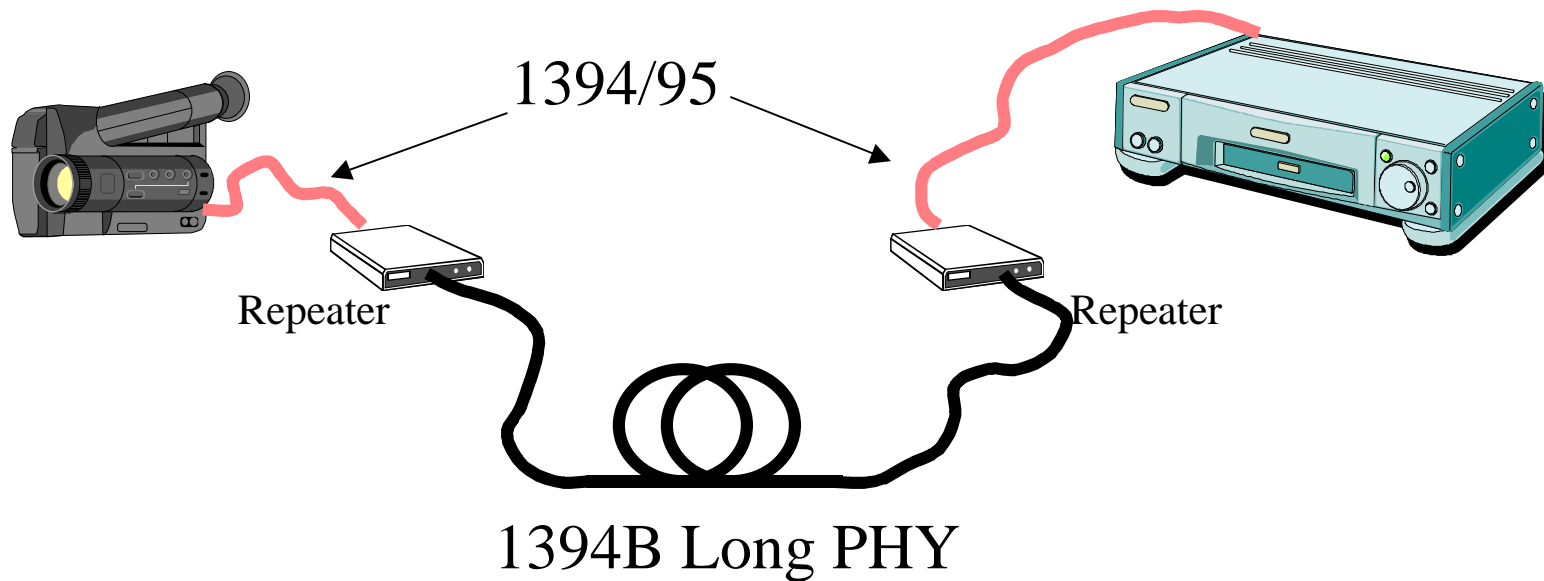
# Connection scenarios between S100 and S800 (4)



-  1394-95/A connector
-  S800 long connector
-  S100 long connector
-  Copper 4.5m

**Must be different**

NEC



- S100 long distance solution should keep the standard 1394/95 metallic user interface, even if a small size 1394B long PHY interface is available.

# Conclusions

- 1 Coexistence of S100 long as well as S800 long is possible and will provide a variety of customer's choice for the low cost link solutions.
- 2 The different media interface connectors for S100 and S800 have to be specified to avoid misplugging among different cable media.
- 3 The basic approach of S100 long distance solution is to avoid an impact on the existing 1394/95 metallic interface, even if small size optical interface is available.