

# Optical Mini-jack for IEEE1394

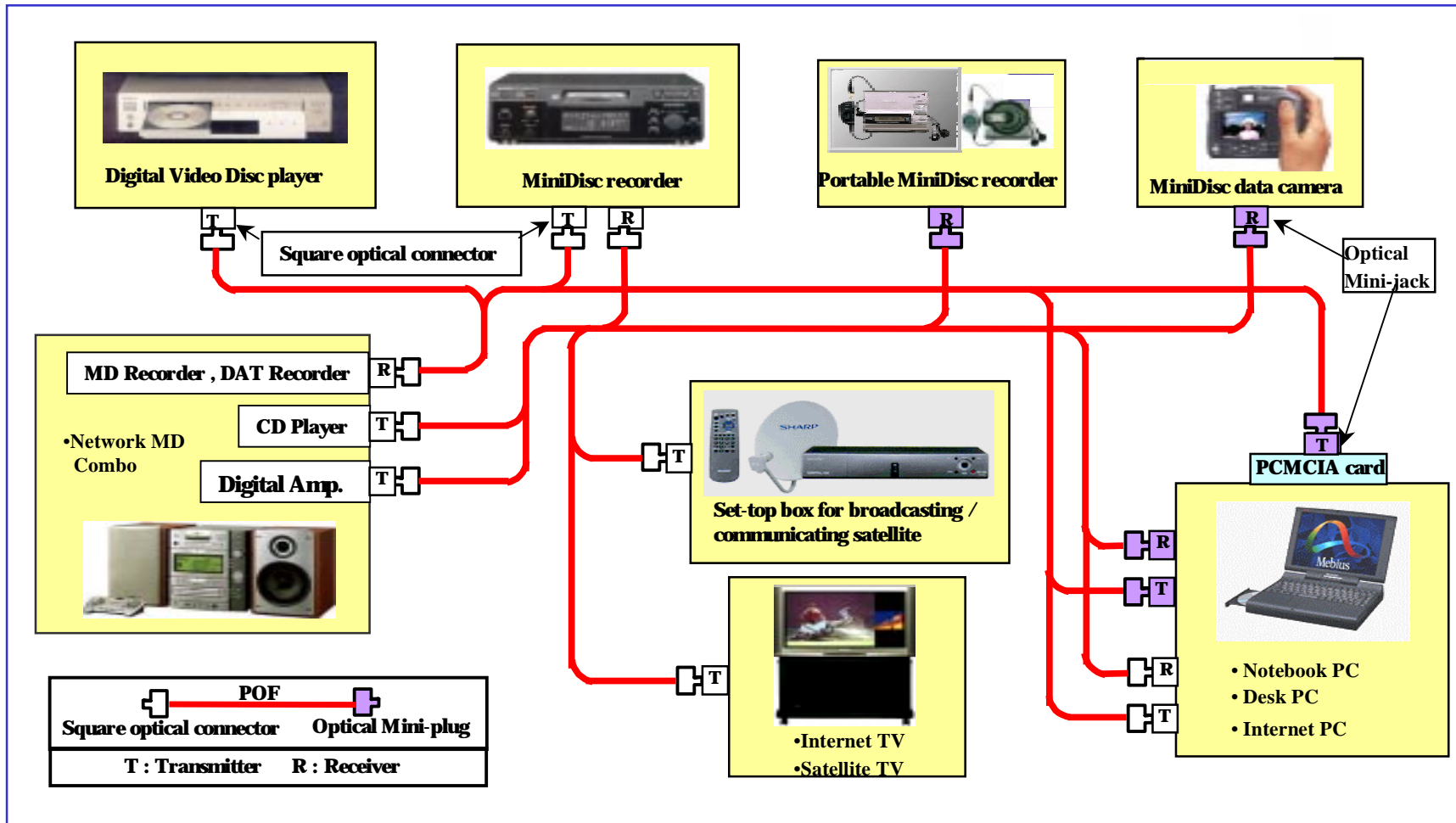
## **SHARP**

**Opto-Electronic Devices Division**

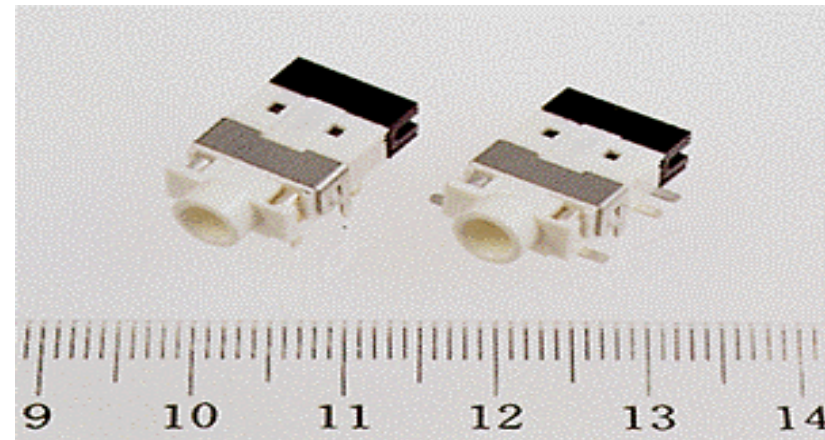
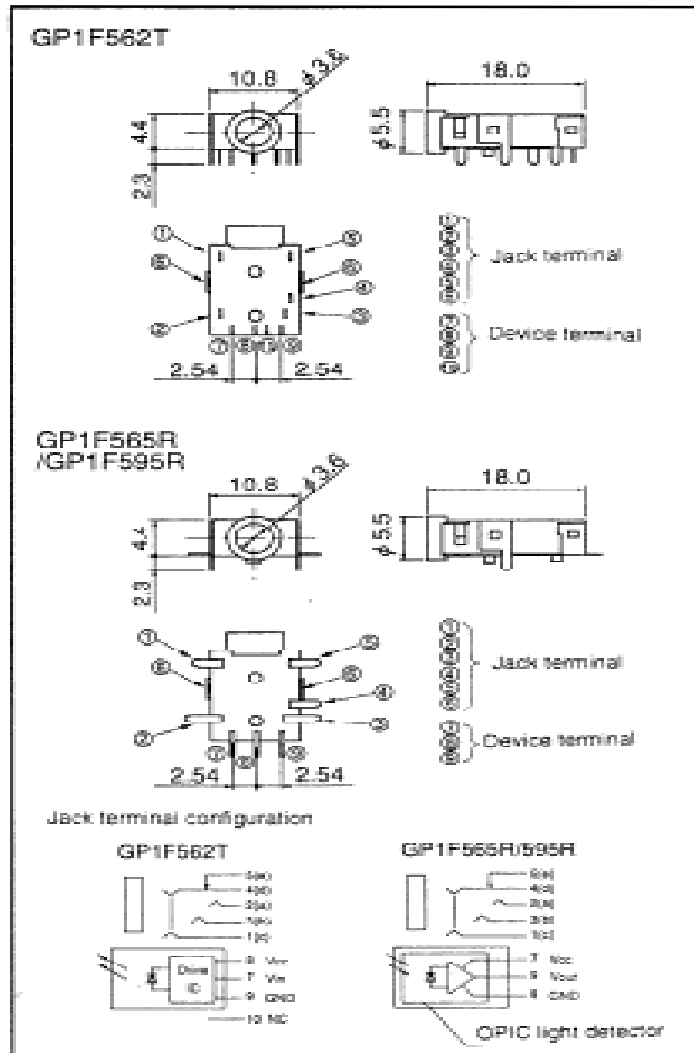
Takatoshi Mizoguchi ( [mizoguti@shinjo.sharp.co.jp](mailto:mizoguti@shinjo.sharp.co.jp) )

- 1. Fiber Optics for Digital-Audio**
- 2. What is Optical Mini-jack ?**
- 3. Our conception for IEEE1394**

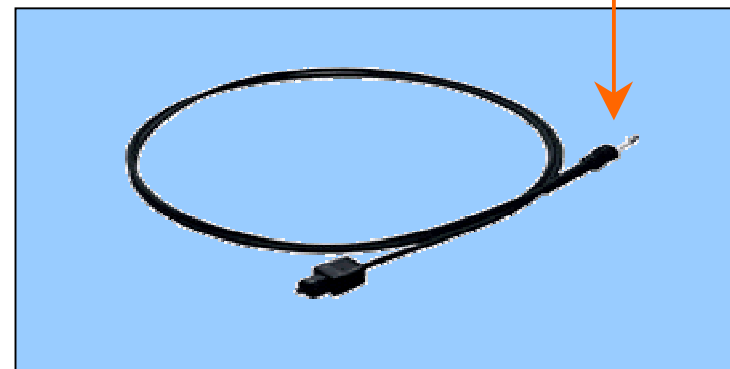
## Application of Digital-Audio POF



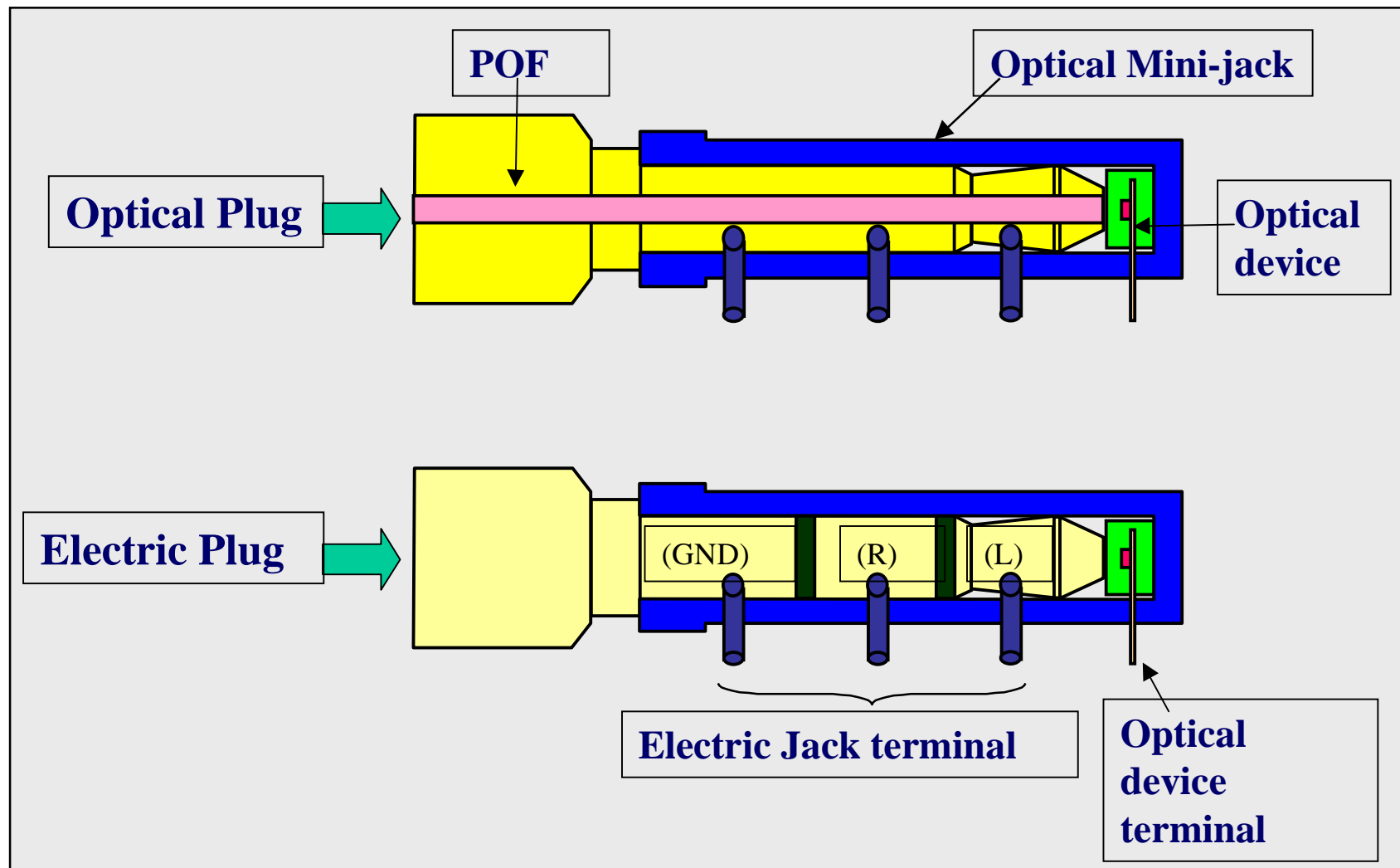
# Optical Mini-jack Outline



Optical Mini-plug



## Structure of Optical Mini-jack



## **Features of Optical Mini-jack**

- 1. Compatibility with both optical and electrical connections.**
- 2. Automatically detects the presence of a mini-plug in the jack and distinguishes an optical mini-plug from an electrical mini-plug.**
- 3. Already de facto standard.**

## **Achievement of Fiber optics for Digital-audio**

- **Sharp is producing monthly**
  - more than 1,000,000 audio optical connectors**
  - more than 300,000 Optical Mini-jacks**
- **Digital-audio Optical Mini-plug with POF**
  - produced monthly more than 100,000 pcs**
- **All Portable MD recorders employ Optical Mini-jack**

# Portable MD Recorder

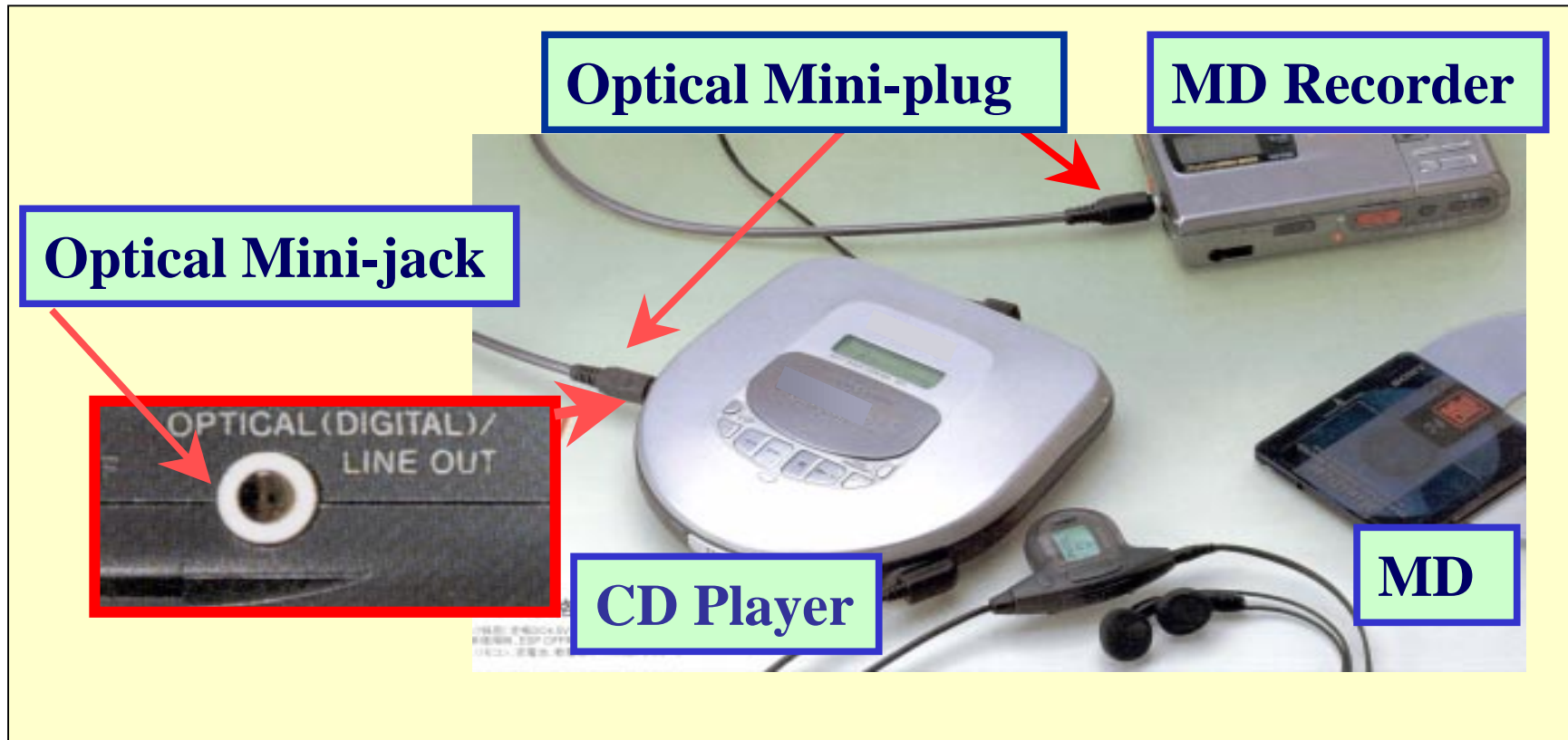


Optical Mini-plug  
with POF

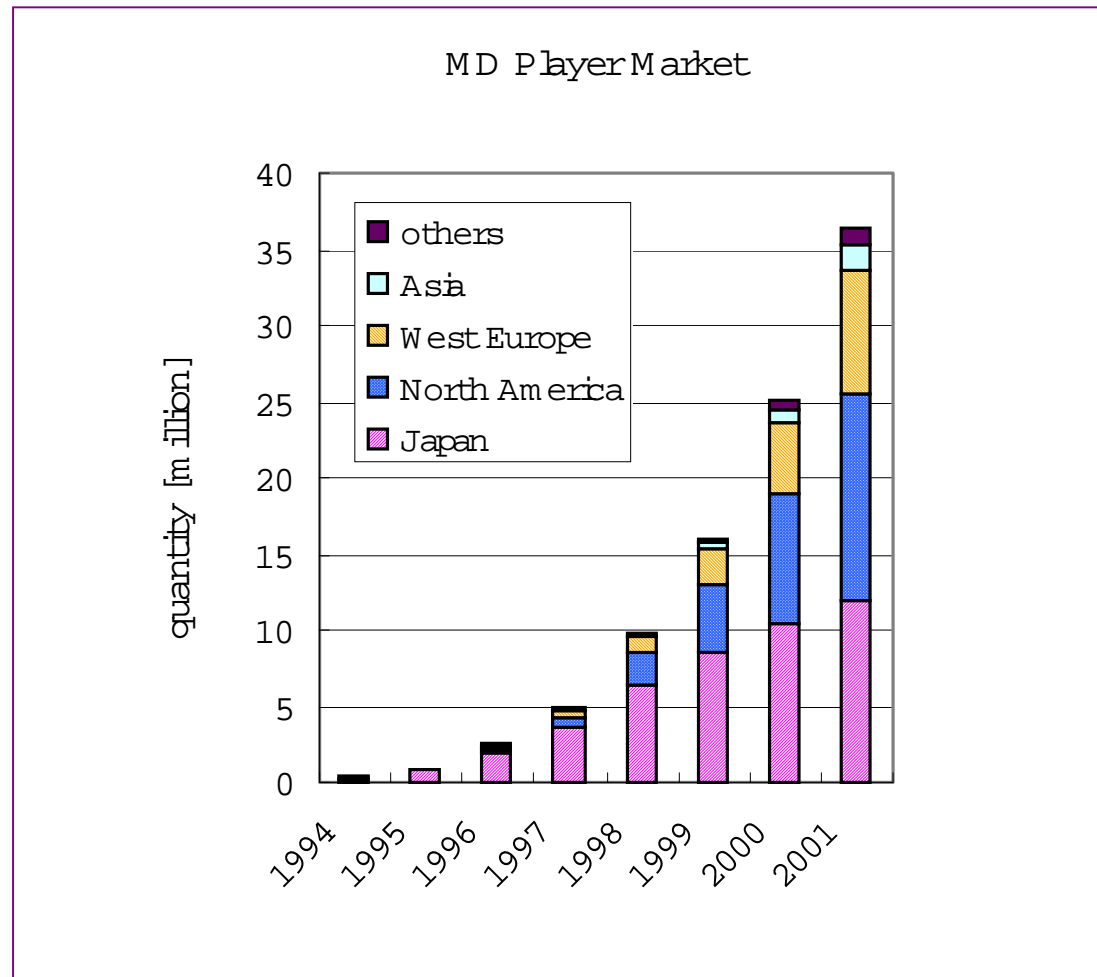
Optical Mini-jack



# Digital copying from CD to MD



## MD Player Market Statistics

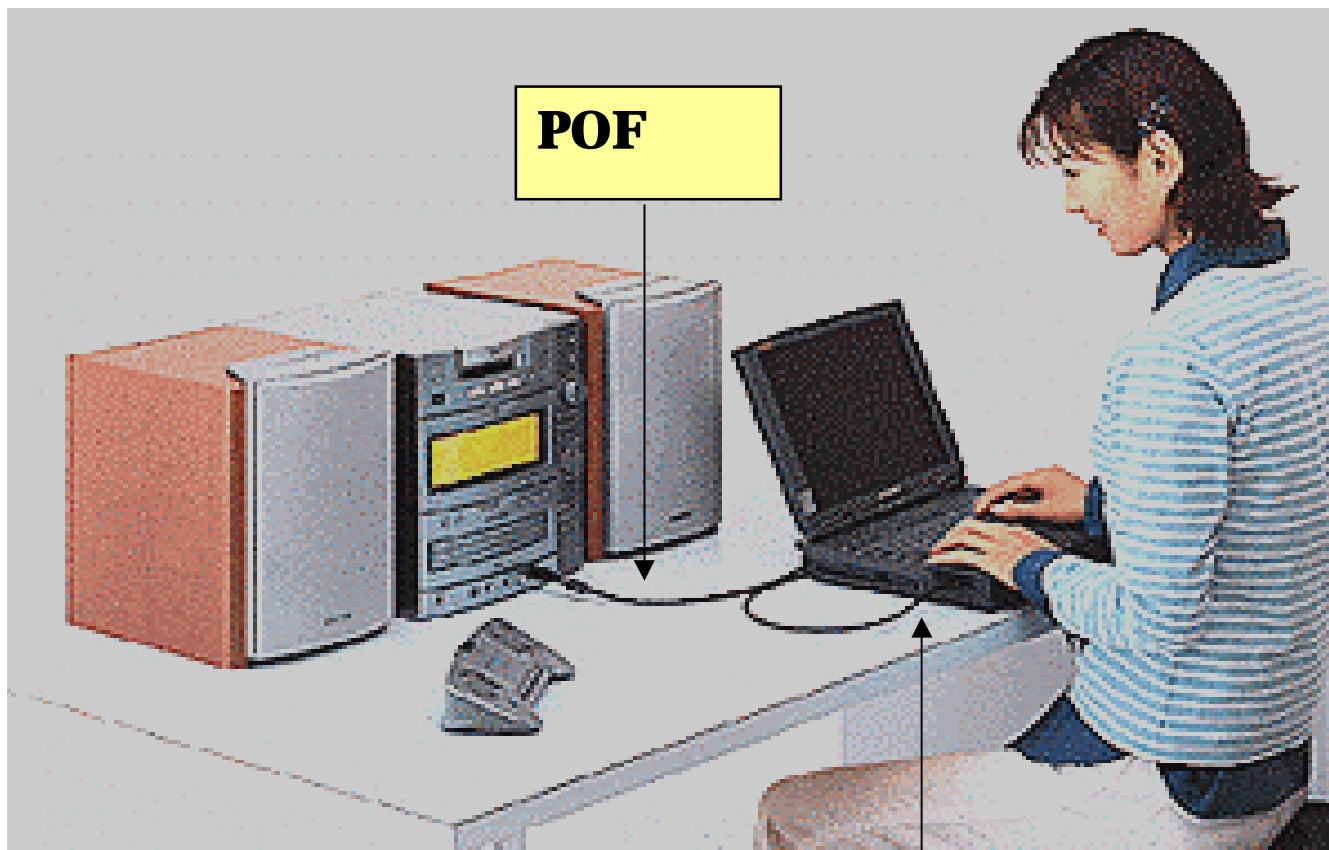


By Electronic Industry Association of Japan

# MD Data Camera



## Network MD Combo

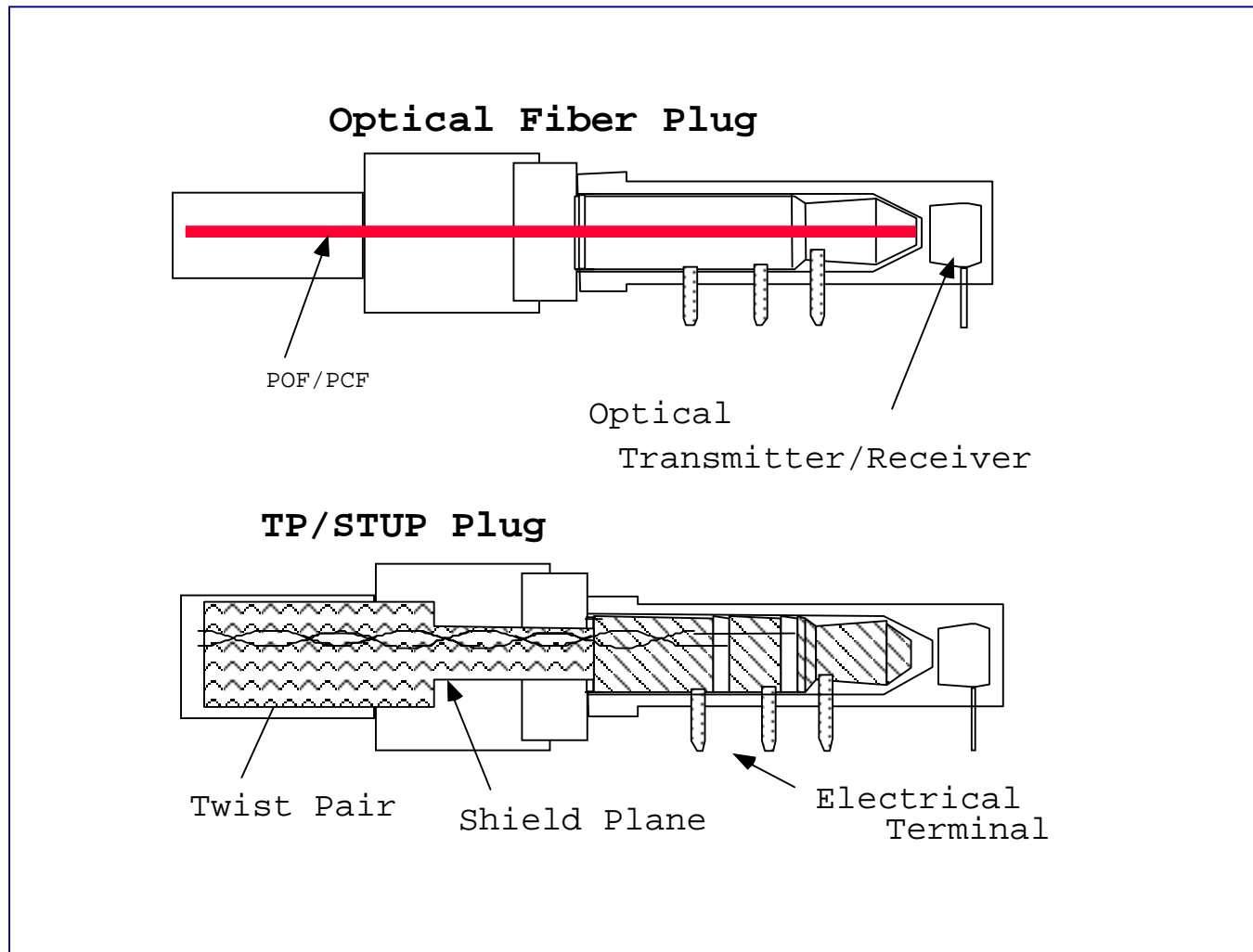


**PCMCIA card with Optical Mini-jack**

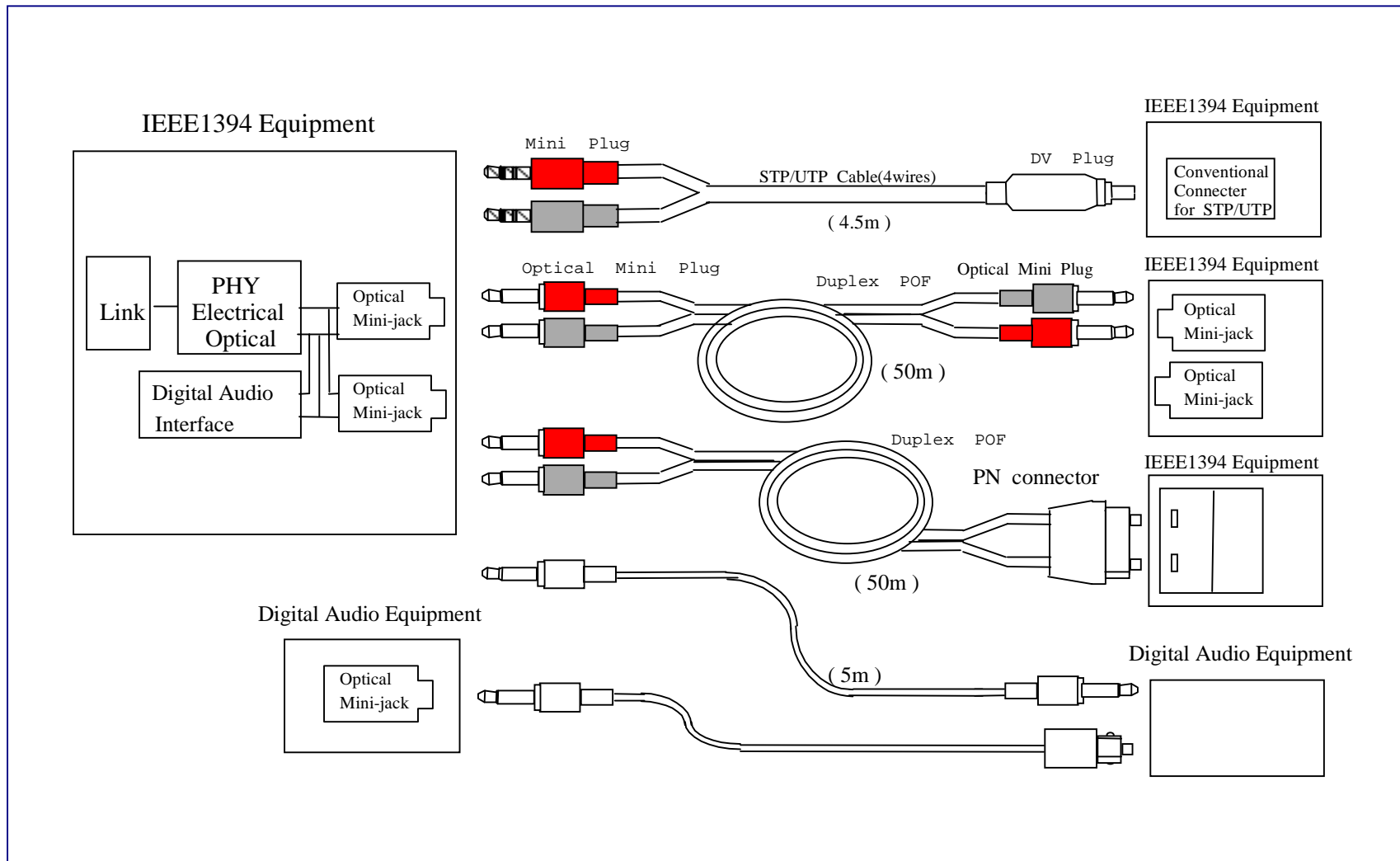
## **Concept of Optical Mini-jack for IEEE1394**

- **Commercially available POF (for Digital-audio) can be used**
- **Connectable to “DV-connector”**
- **Built in detector for Plugging/Unplugging and connector-type**
- **Seamless migration from Digital-audio I/F to 1394 I/F**
  - Connectable to optical I/F of Digital-audio**

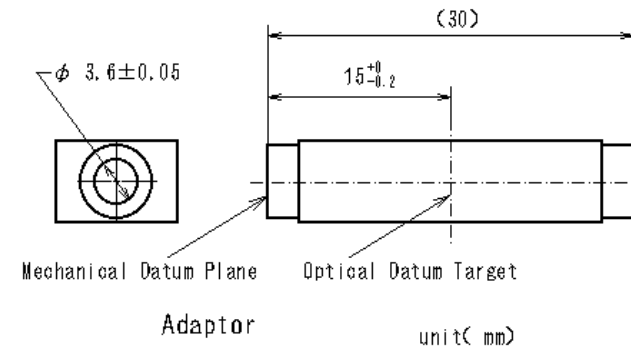
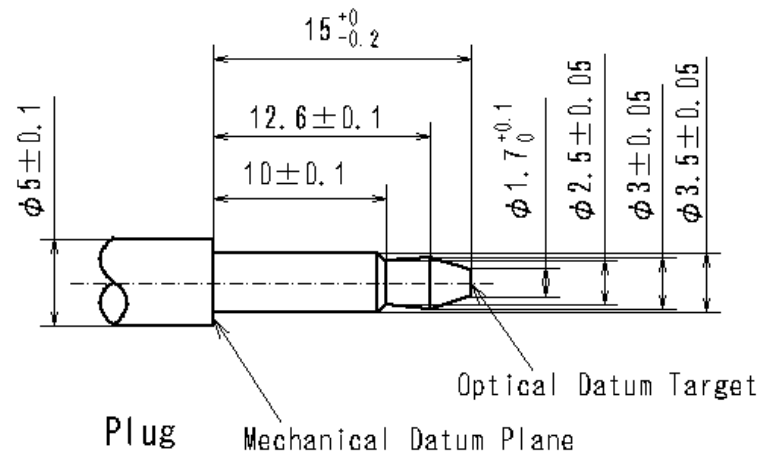
## Optical Mini-jack for IEEE1394



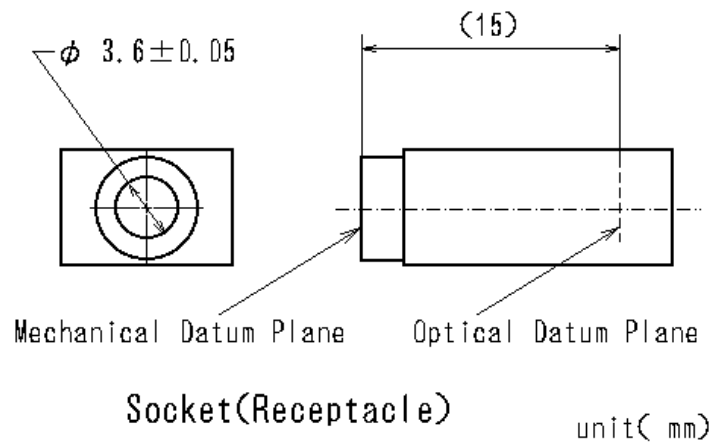
## Optical Mini-Plug for IEEE1394



# OMJ(Optical Mini-jack) connector Outline dimension



NOTES) Internal Structures is not specified



NOTES) Internal Structures is not specified

## Plug detecting

