

Wrapper Boundary Register TIGER Team

Agenda

- Status
- Overview of Rules Document
- Current Issues
- Concordance with CTL

Wrapper Boundary Register TIGER Team

Status

Current Participating Members

- ❑ Jason Doege, Grady Giles, Lee Whetsel, Saman Adham, Debashis Battacharya

Accomplishments

- ❑ Developed Wrapper Boundary Register Rules document for SIL

Issues

- ❑ Few remaining architectural issues to work out.

Wrapper Boundary Register TIGER Team

Rules Overview

Guiding principles

- ❑ Avoid description and discussion with regard to implementation.
- ❑ Define what we are talking about first to avoid confusion and disagreement.
- ❑ Encompass broad desires.

Wrapper Boundary Register TIGER Team

Rules Overview

Modes

- Normal
 - No effect
- Inward Facing
 - Affect the core
- Outward Facing
 - Affect the system
- Safe
 - Ensure wrapper damages neither core nor system

Wrapper Boundary Register TIGER Team

Rules Overview

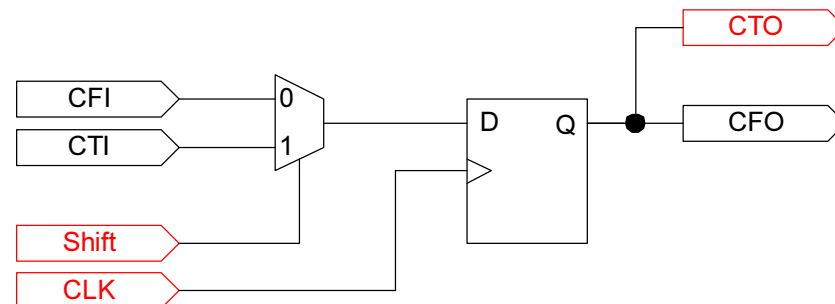
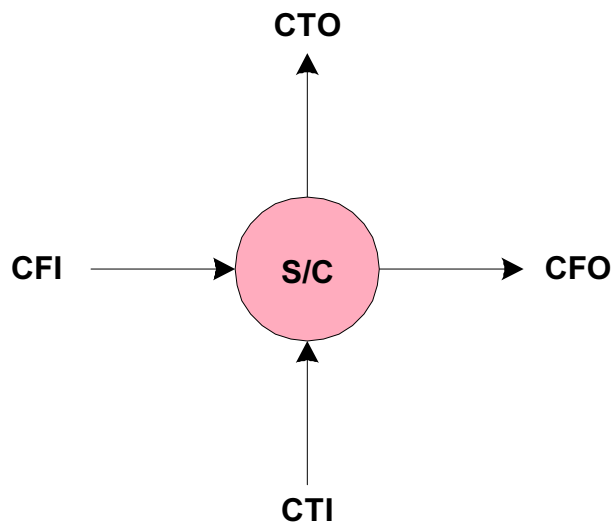
Events

- Shift
 - Move data through shift path
- Capture
 - Sample data
- Apply
 - All applicable control points are active
- Update
 - 1149.1-type Update
- Transfer
 - Update complement

Wrapper Boundary Register TIGER Team

Rules Overview - Examples

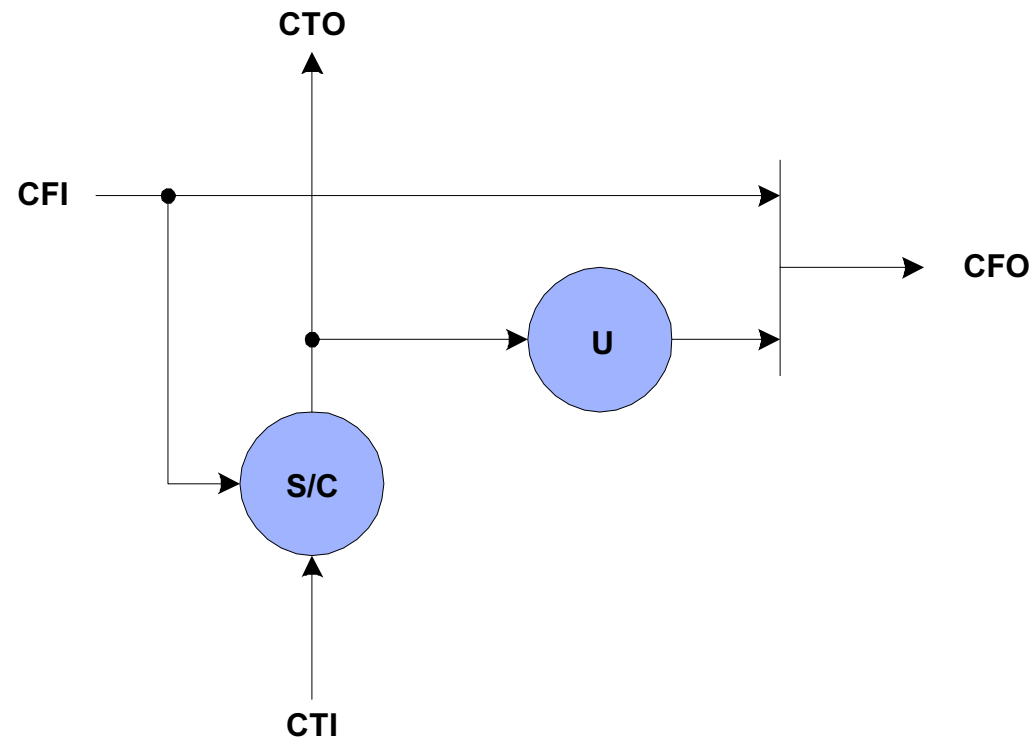
Simplest WBR cell with sample implementation



Wrapper Boundary Register TIGER Team

Rules Overview - Examples

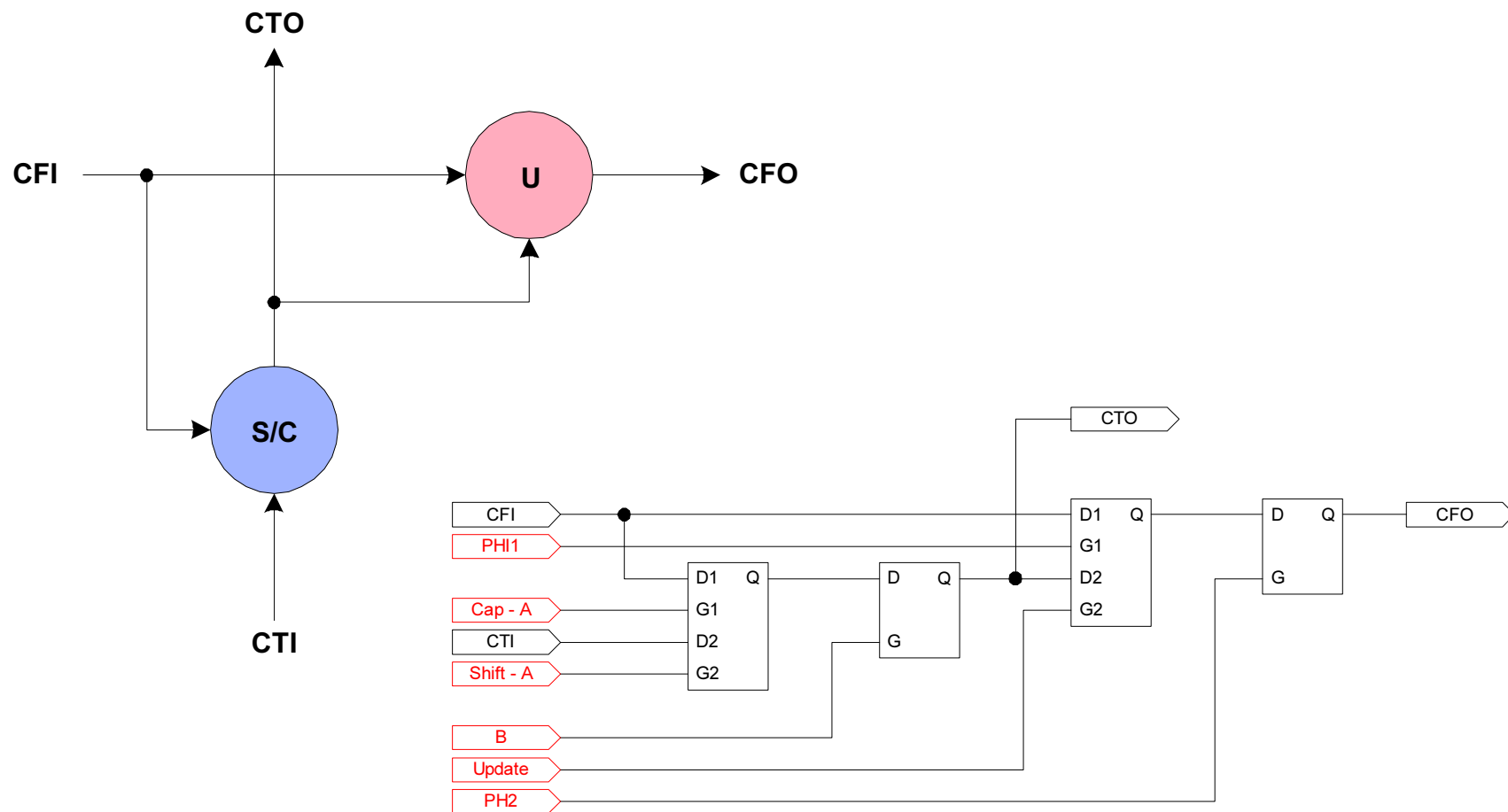
1149.1 Type Cell



Wrapper Boundary Register TIGER Team

Rules Overview - Examples

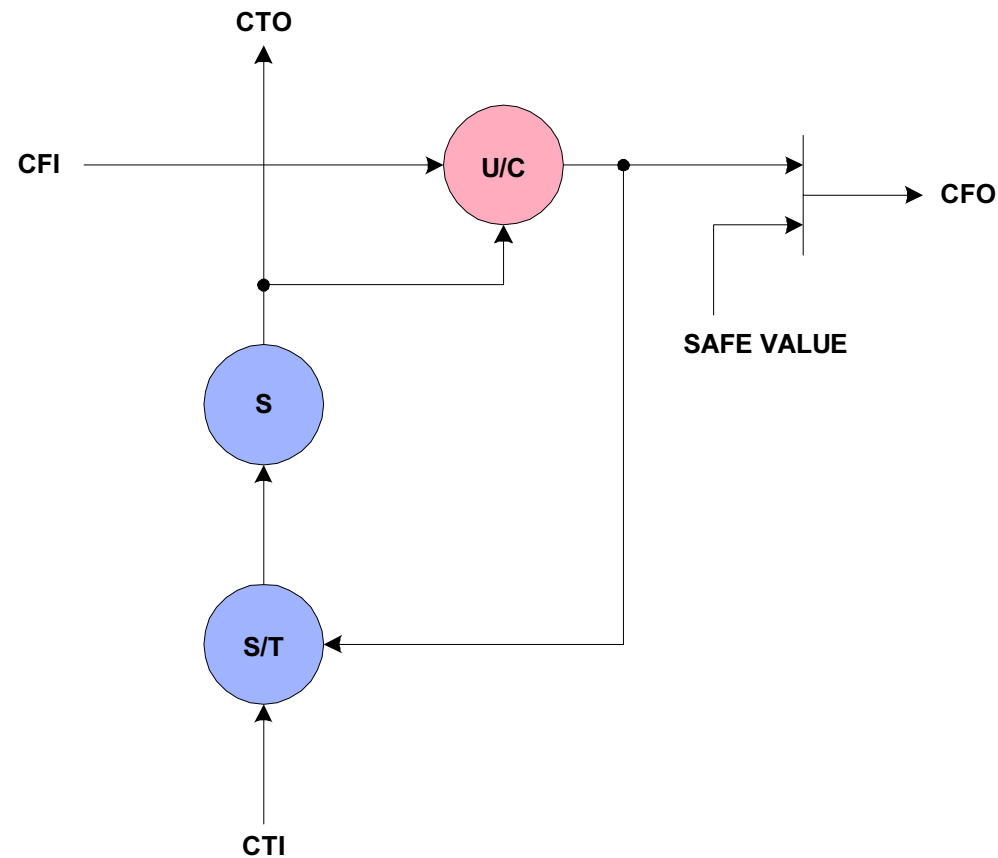
1149.1-type cell with shared update



Wrapper Boundary Register TIGER Team

Rules Overview - Examples

WBR cell displaying all features



Wrapper Boundary Register TIGER Team

Issues

- Variable or fixed capture location.
- Inward facing mode, mandatory or optional?

Wrapper Boundary Register TIGER Team

Concordance with CTL

Event or Procedure?