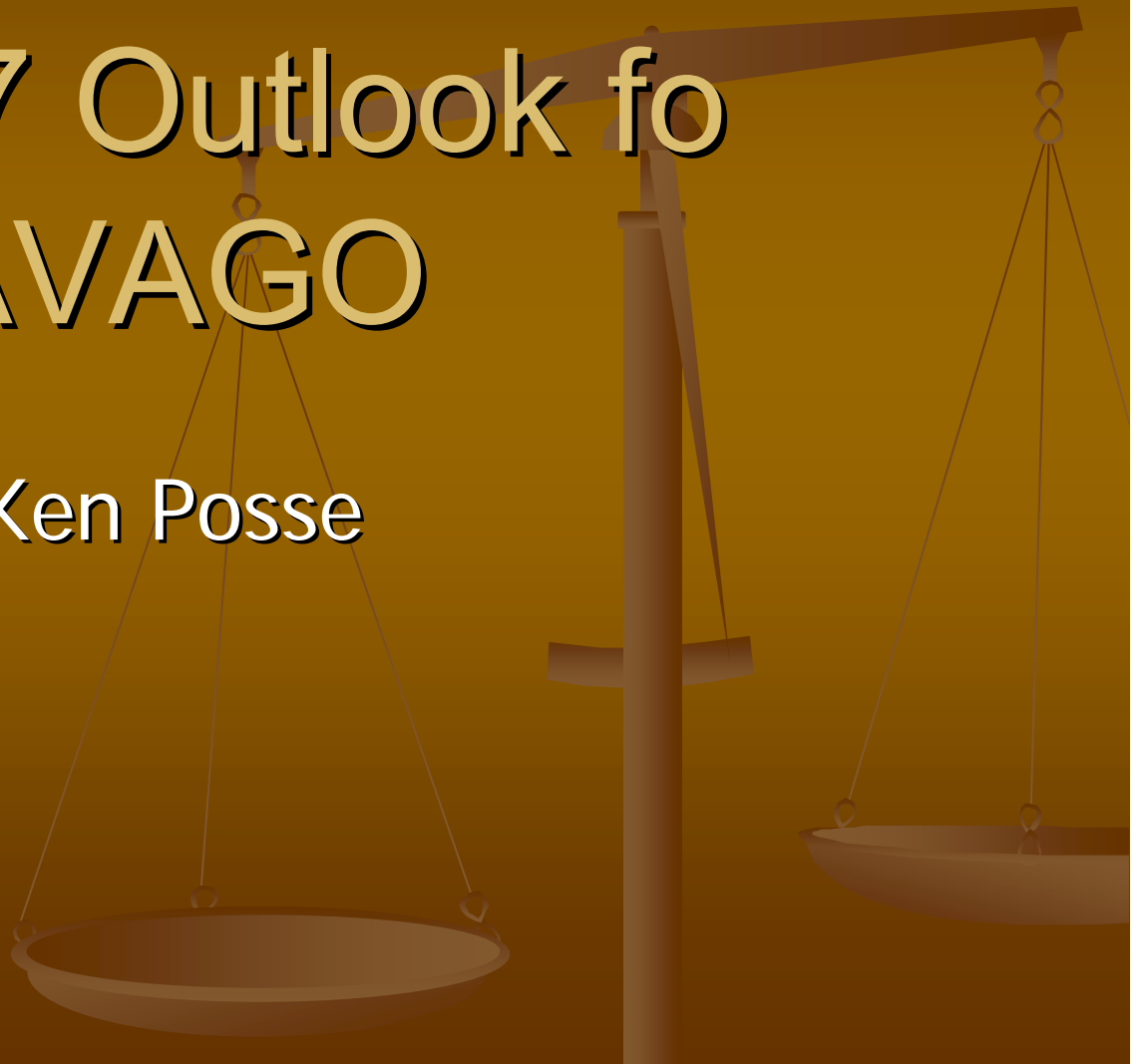


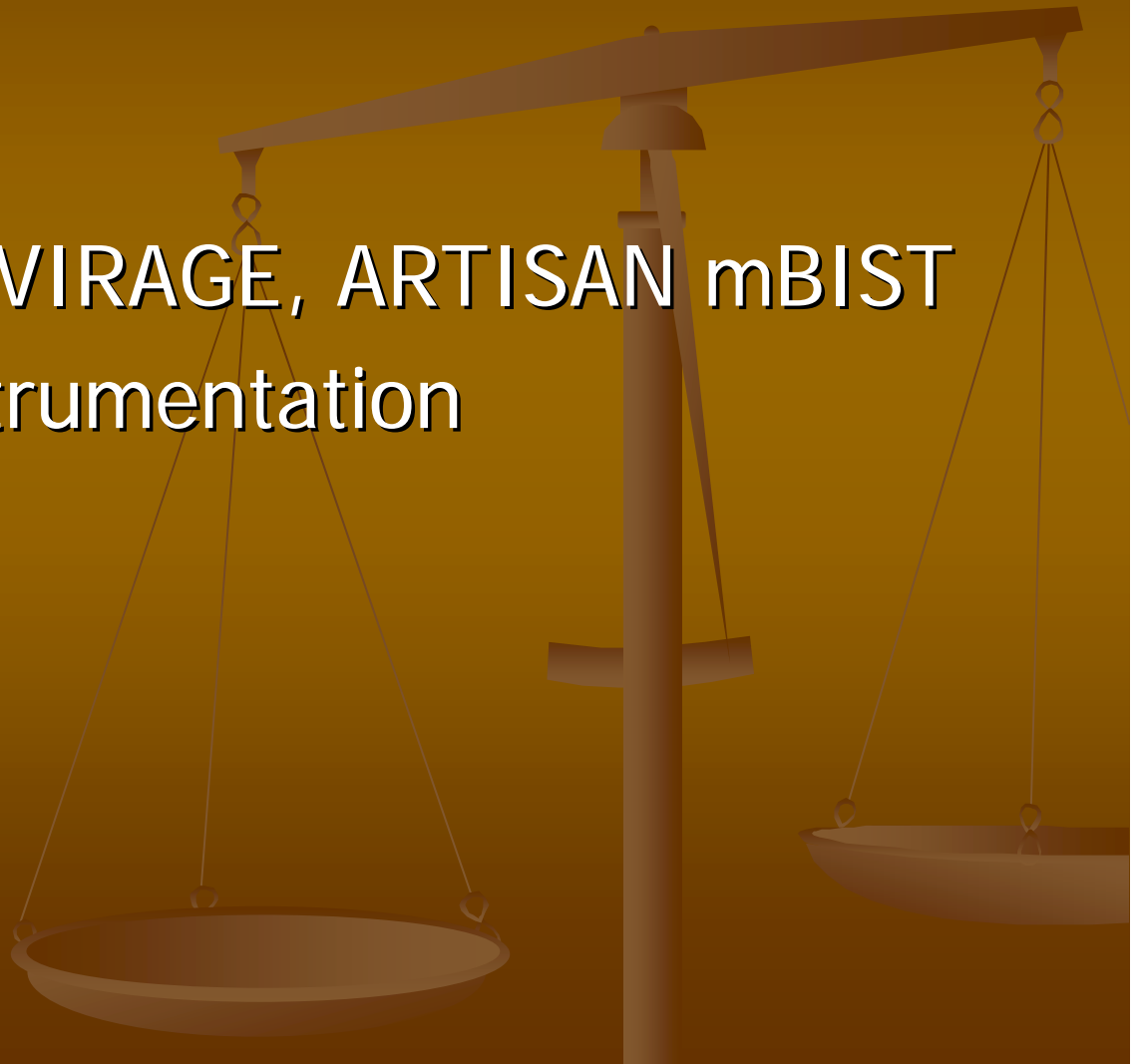
# P1687 Outlook fo AVAGO

Ken Posse



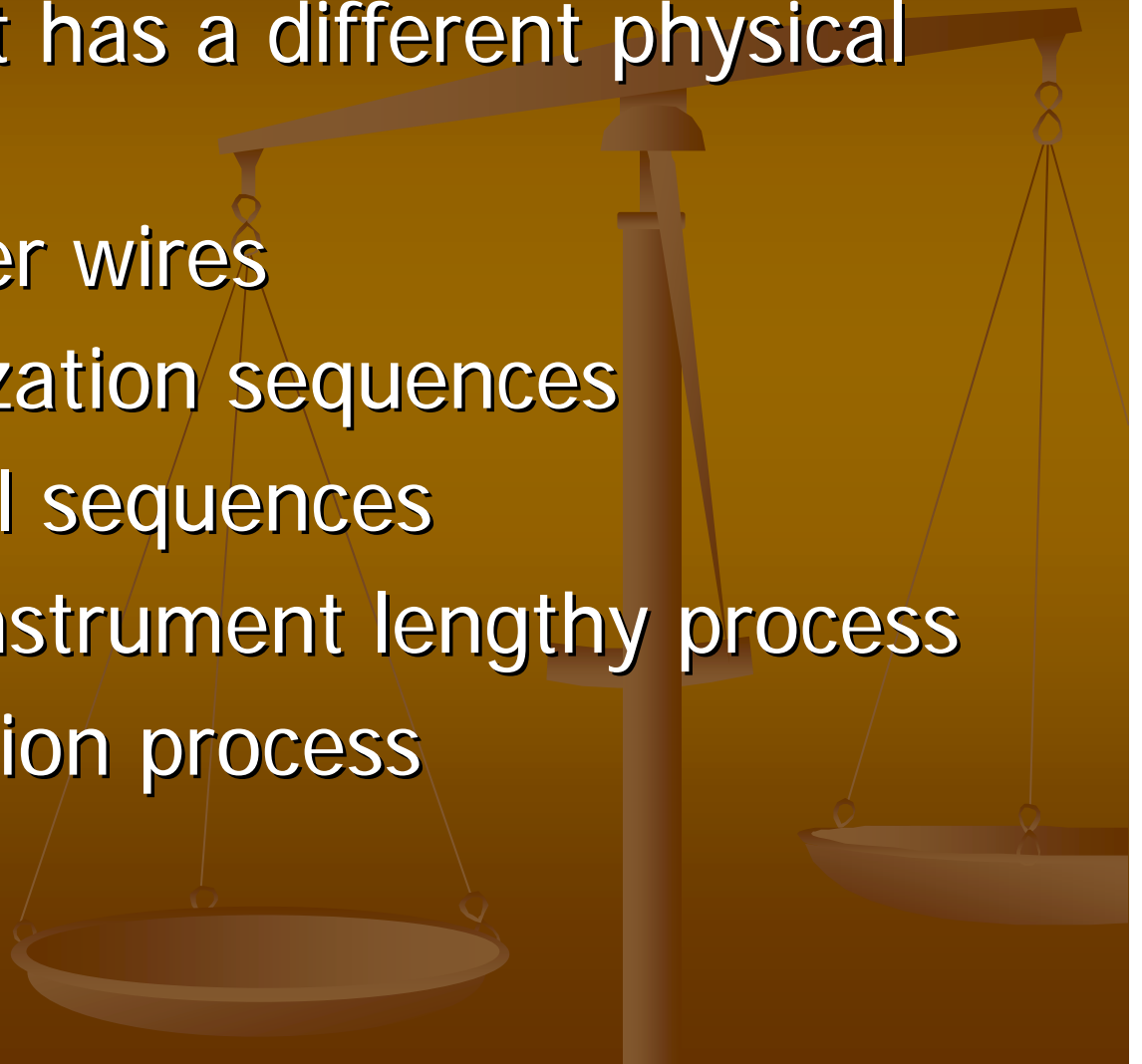
# Current Methodology

- AVAGO PLL
- AVAGO CCB
- AVAGO, TSMC, VIRAGE, ARTISAN mBIST
- Company-X Instrumentation

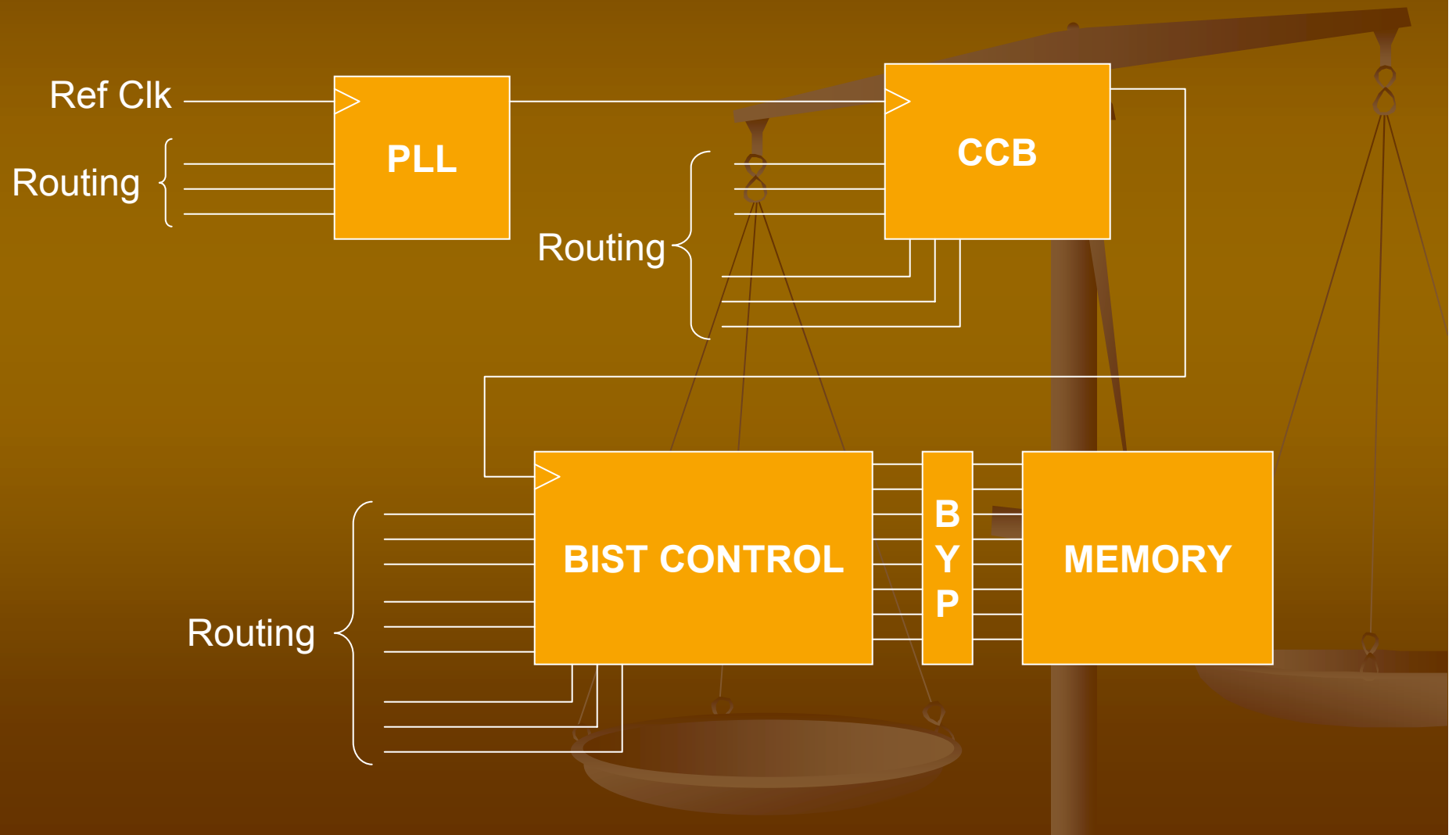


# Current Methodology

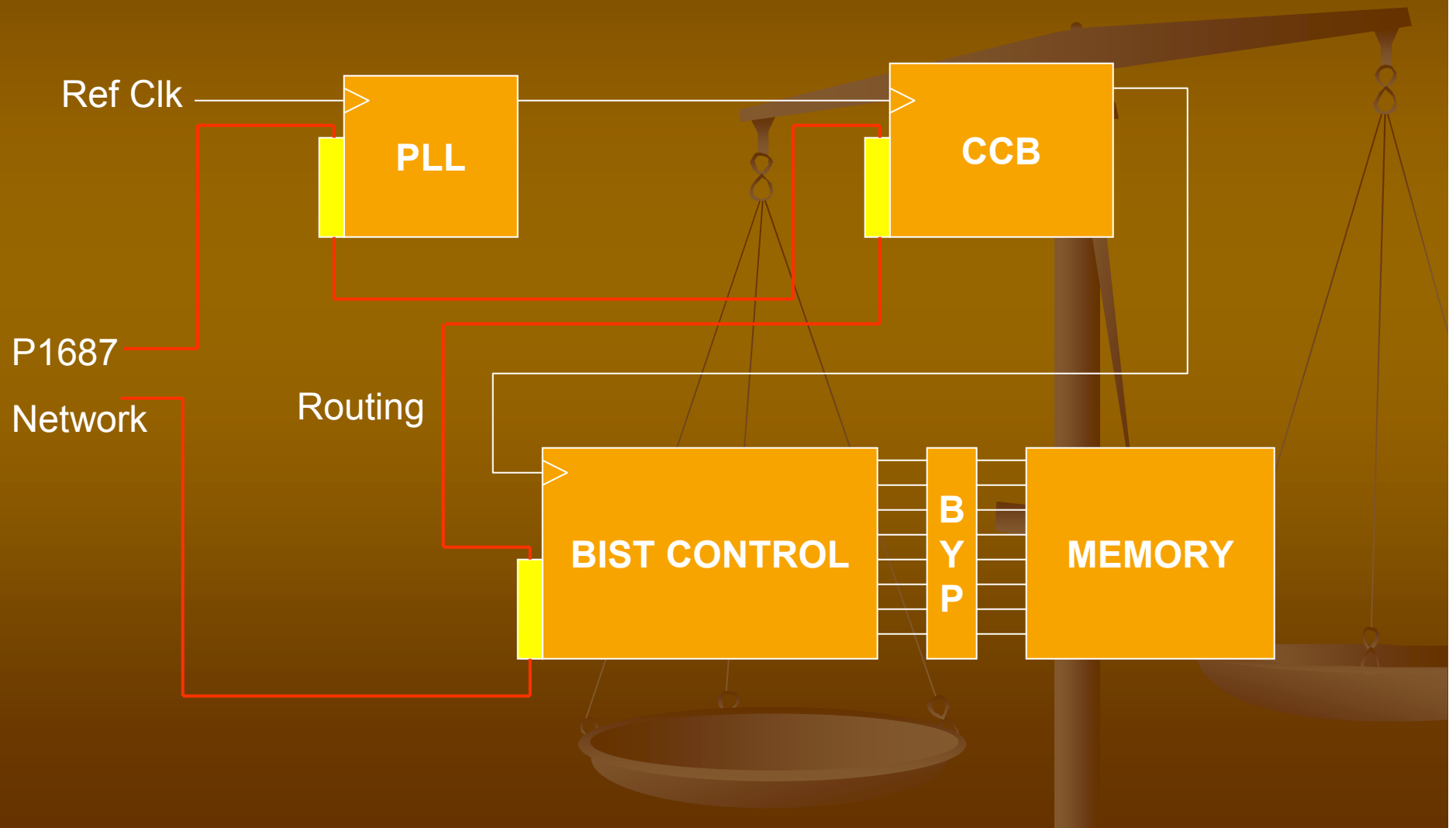
- Each instrument has a different physical (wire) interface
- Different number wires
- Different initialization sequences
- Different control sequences
- Adding a new instrument lengthy process
- Lengthy simulation process



# Current Methodology



# P1687 Methodology



# P1687 Advantages

- Simplified Routing
  - Standard Interface (externally all are the same)
  - Single Source Vector Generation for Test and Simulation
  - Init/Control/Execution/Results Sequences Automated
- 