



CN-SIM: A Common Bridge Model

Davide Bergamasco (davide@cisco.com)

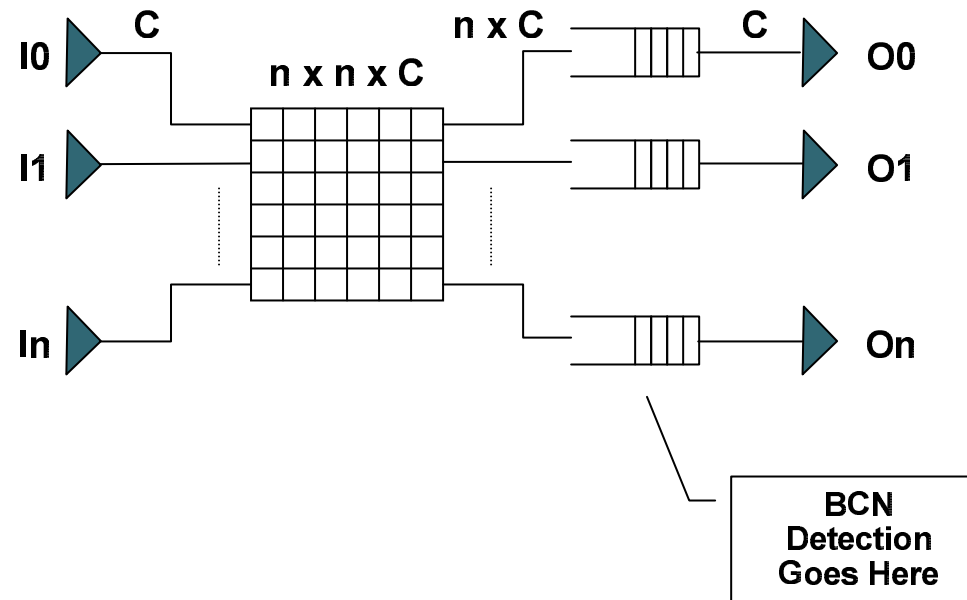
August 2nd, 2006

Why a common bridge model?

- **Our goal is to run independent simulations to validate BCN**
- **So far we have defined a set of common**
 - Topologies
 - Traffic Patterns
 - Metrics
- **But to ensure comparability of results, we also need a **common bridge model****

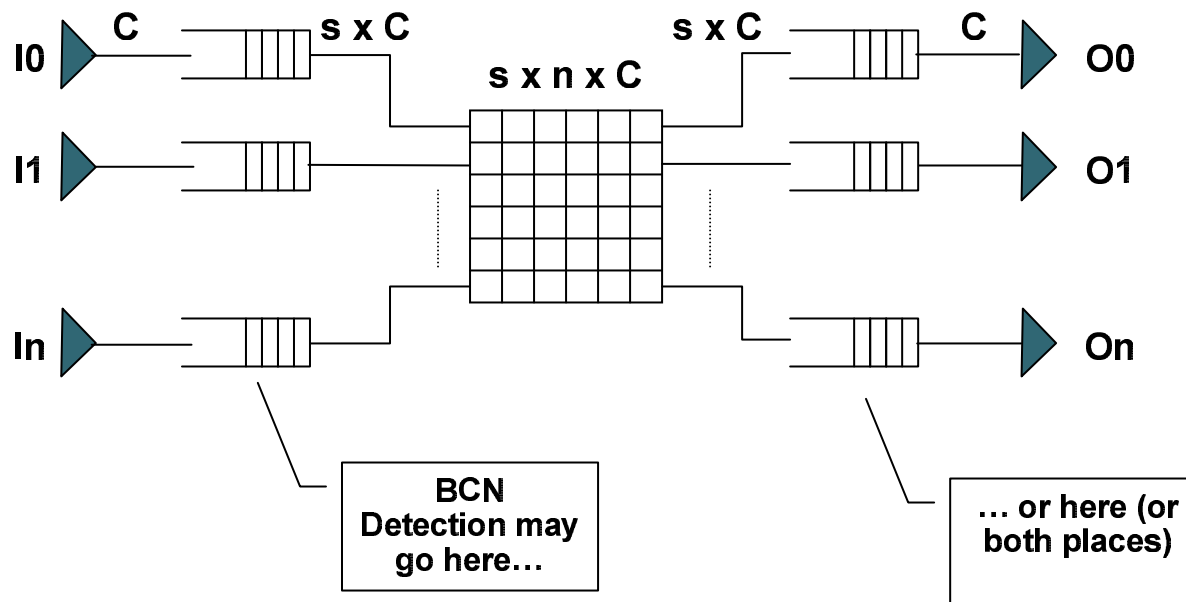
Possible Bridge Models

- **Output Queued Bridge (as defined by 802.1)**



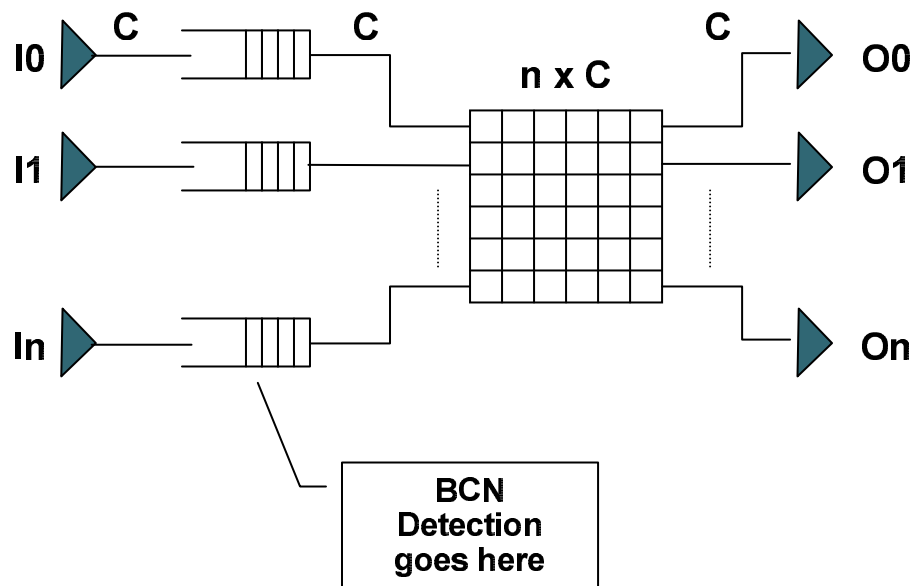
Possible Bridge Models

- **Combined Input-Output Queued Bridge (CIOQ)**



Possible Bridge Models

- **Input Queued Bridge (probably not interesting...)**



Possible Bridge Models

- **Other models?**
 - **Parallel Packet Switch**
 - **Modular**
 - **etc...**