

CFM in Backbone Edge Bridges

Norman Finn

P802.1ag/D7.1 Figure 22-1

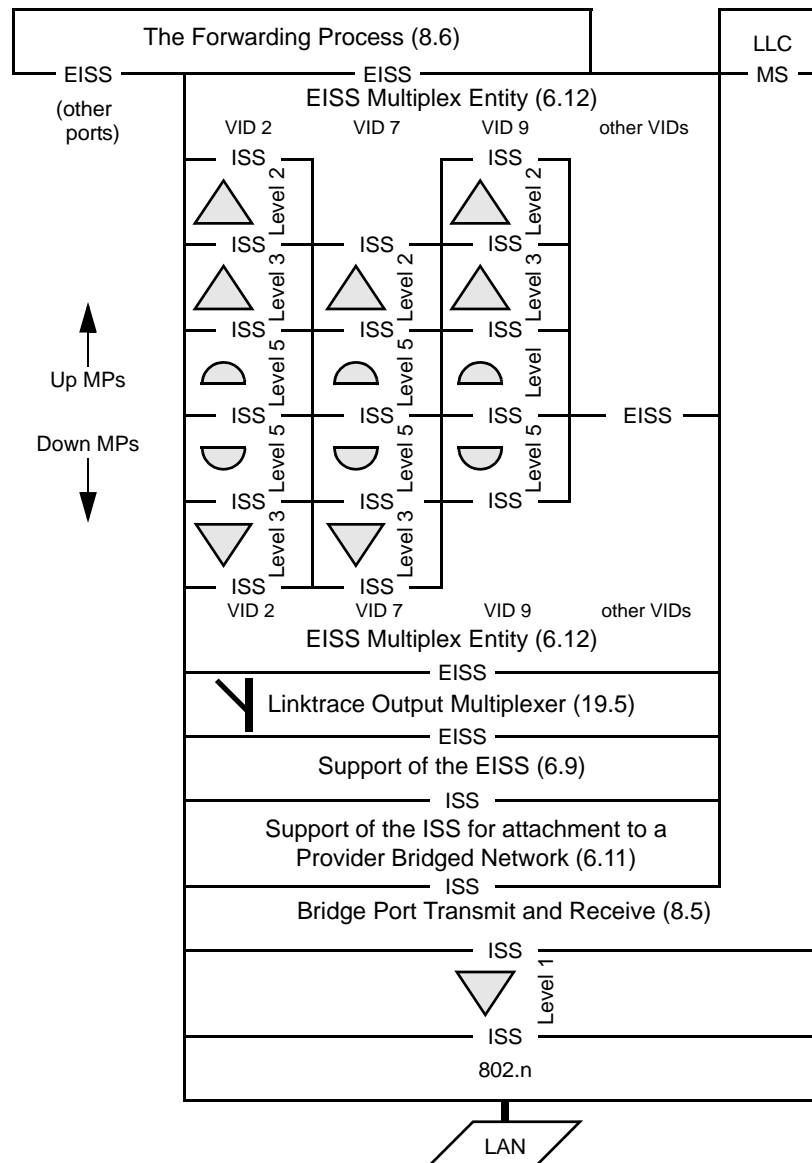
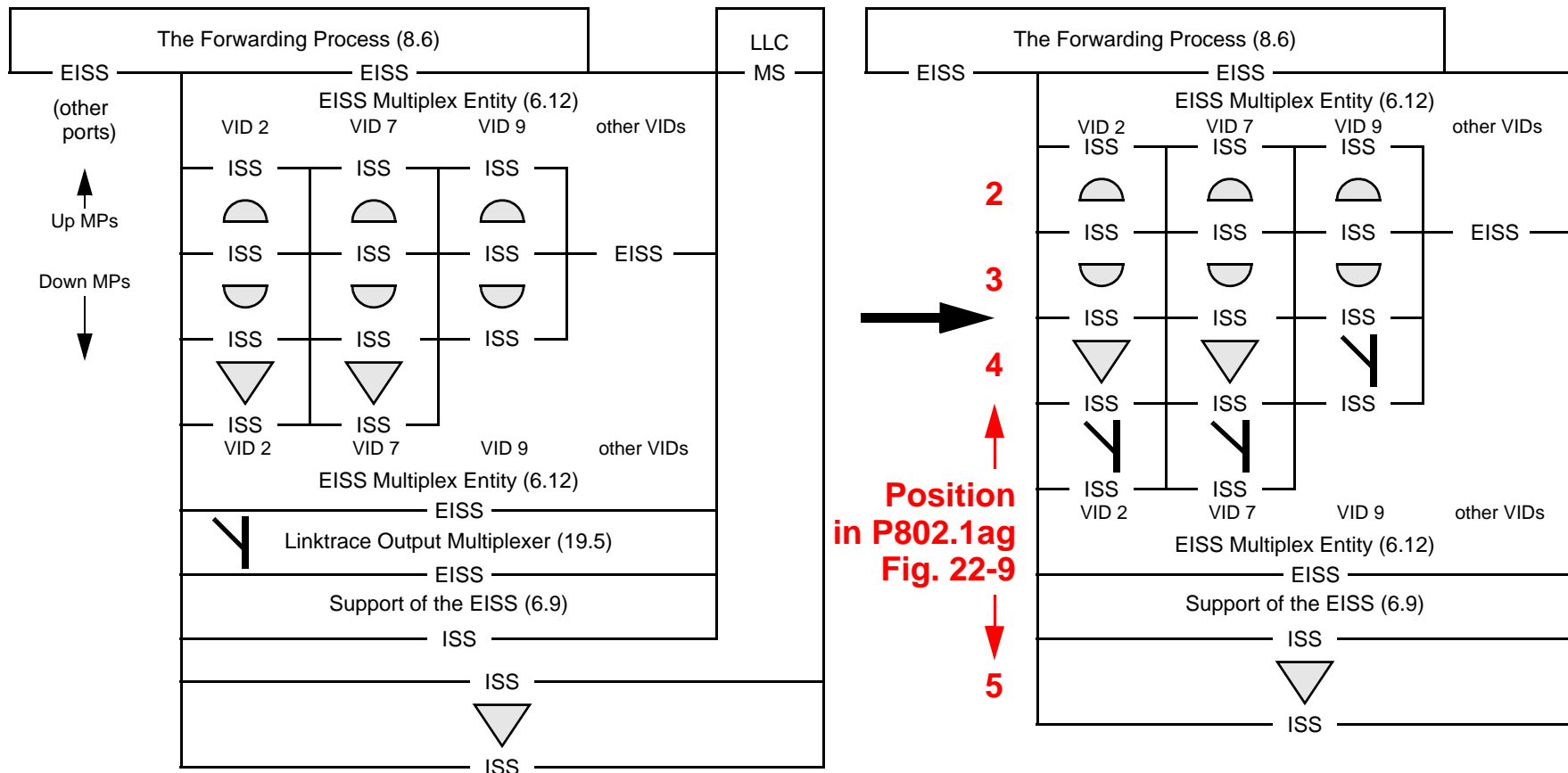


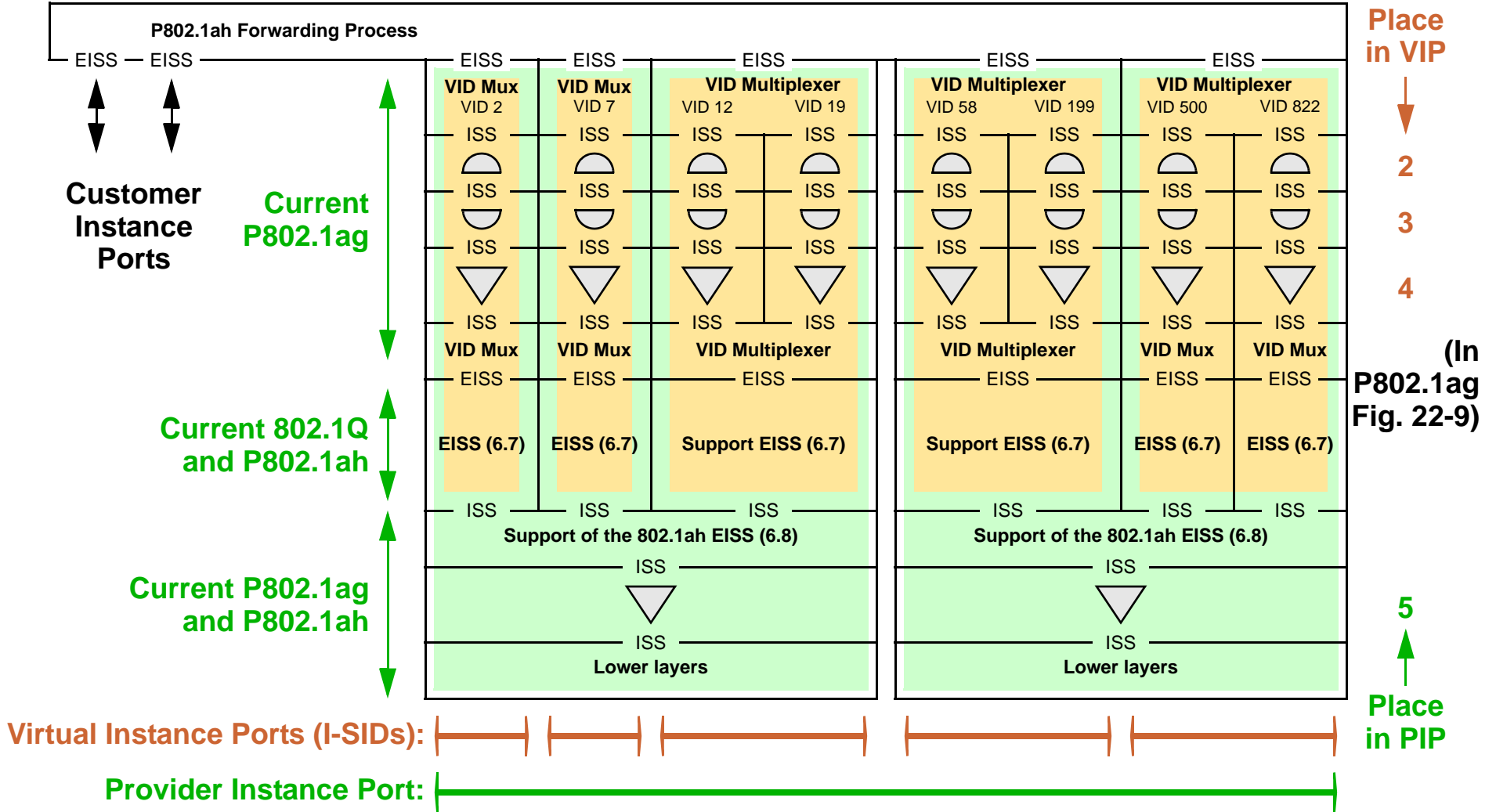
Figure 22-1—MEPs and MIPs distinguished by VID (incomplete picture)

Fig. 22-1 trimmed down to relevant parts

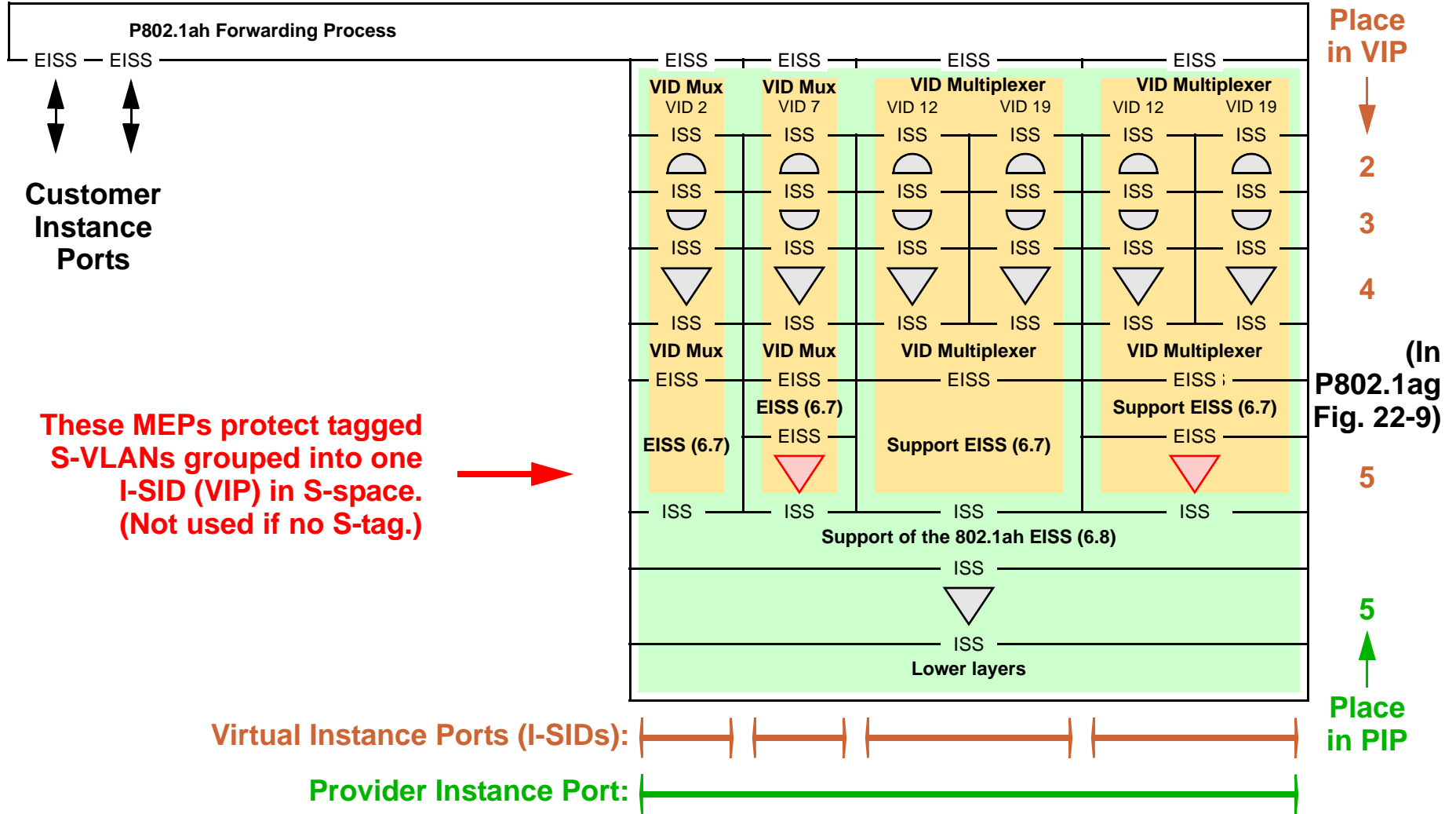


- **LOMs moved up and demultiplexed to concentrate the CFM for the purposes of this discussion — this causes no change to the function or intention of .1ag or .1ah.**

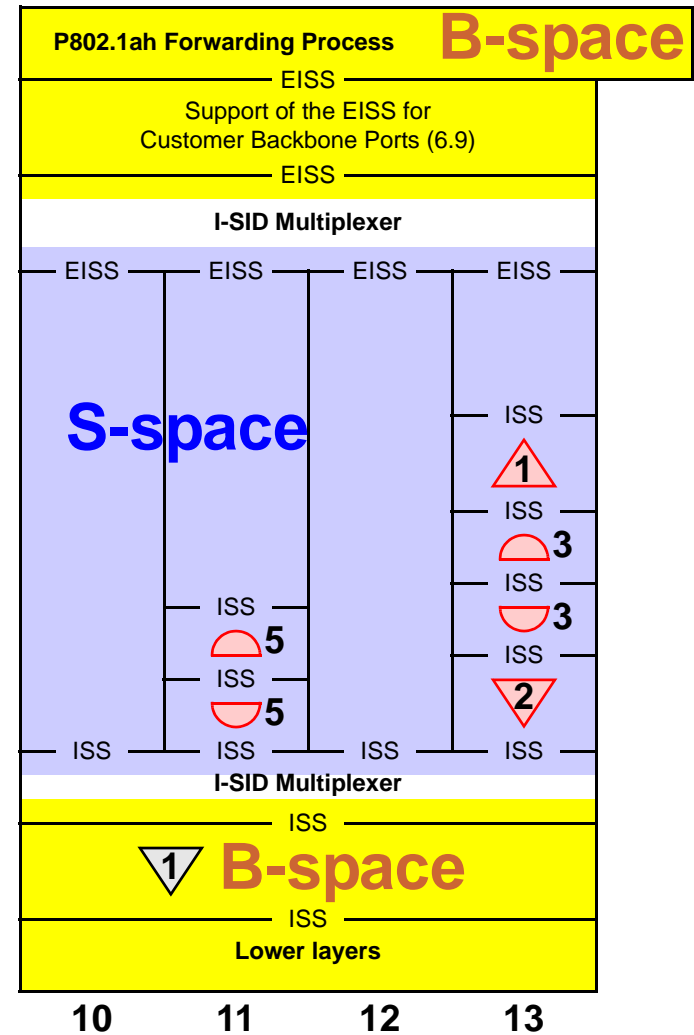
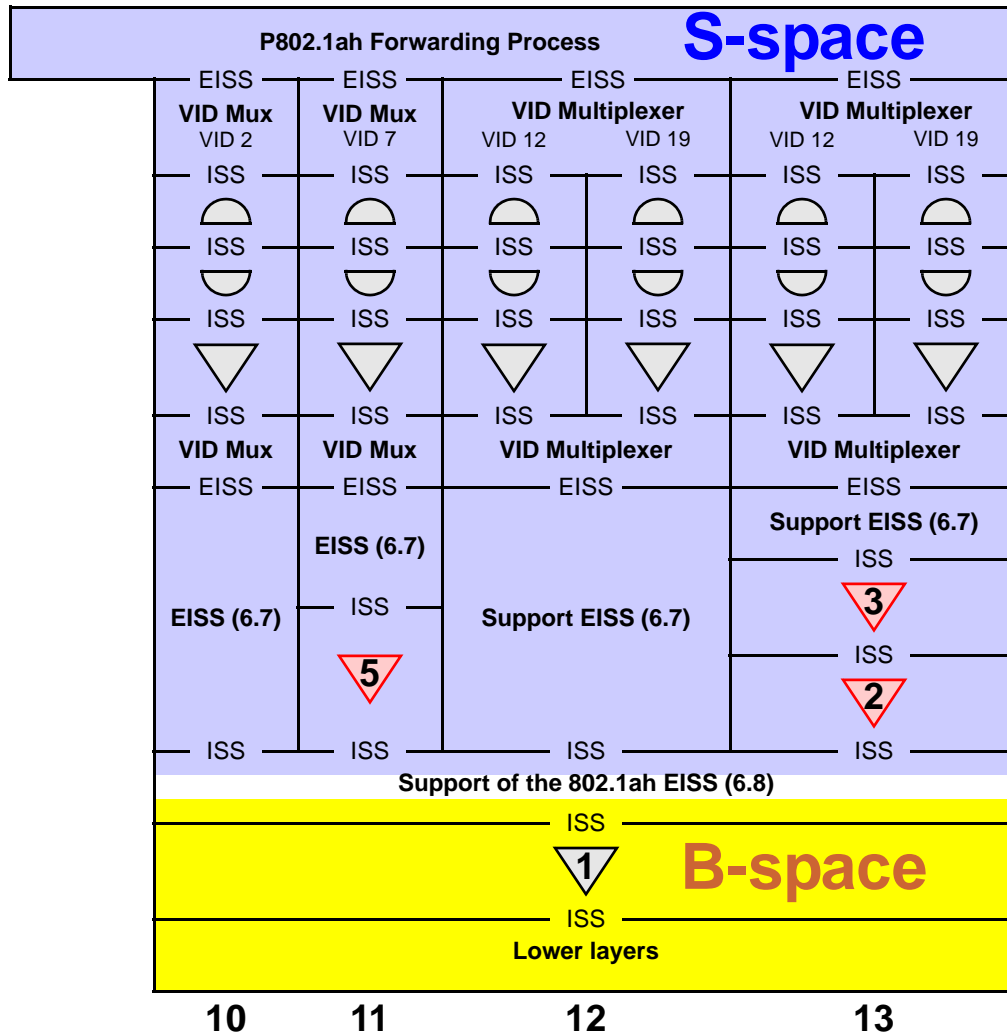
Obvious I-Component MPs



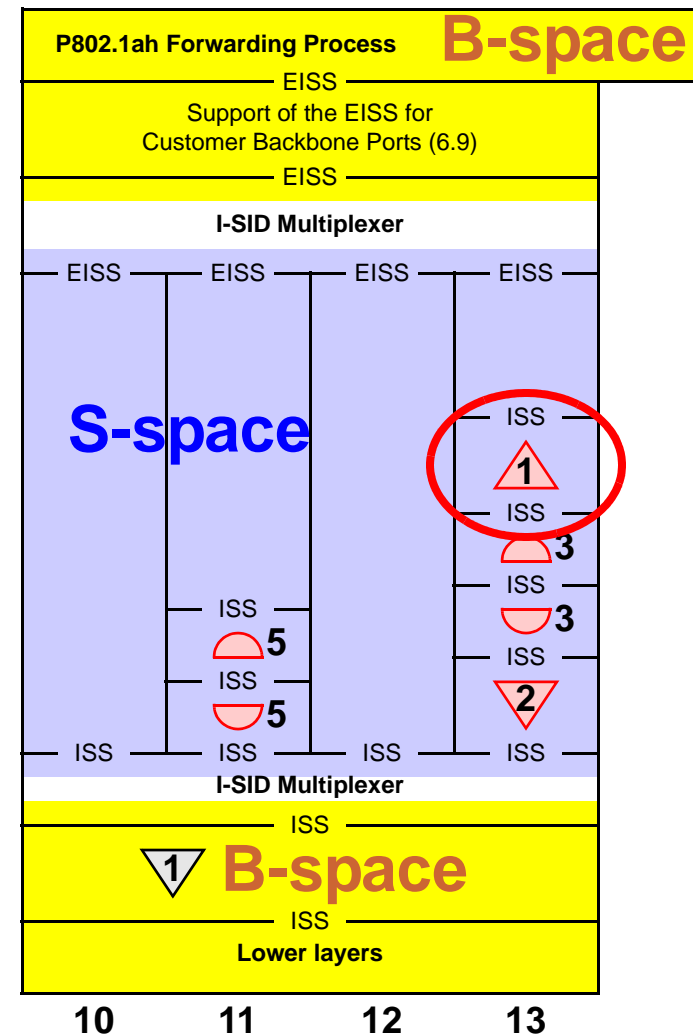
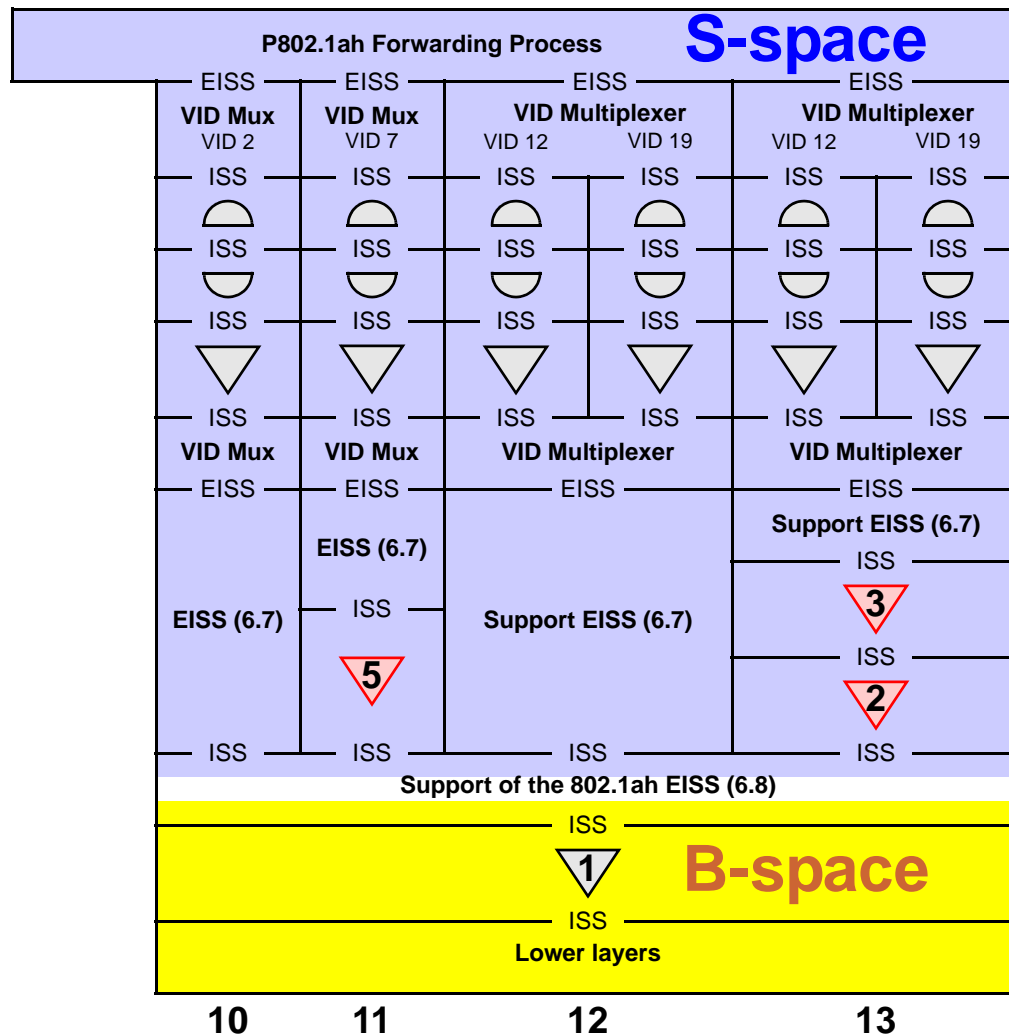
I-Component with per I-SID MEPs



MAC Address Spaces

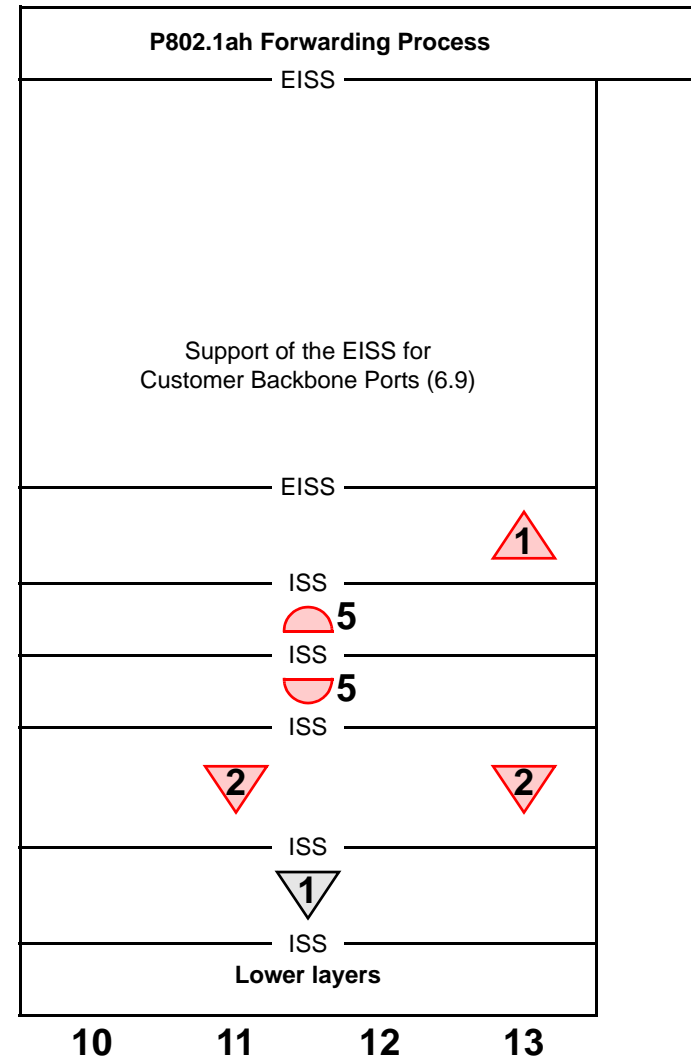
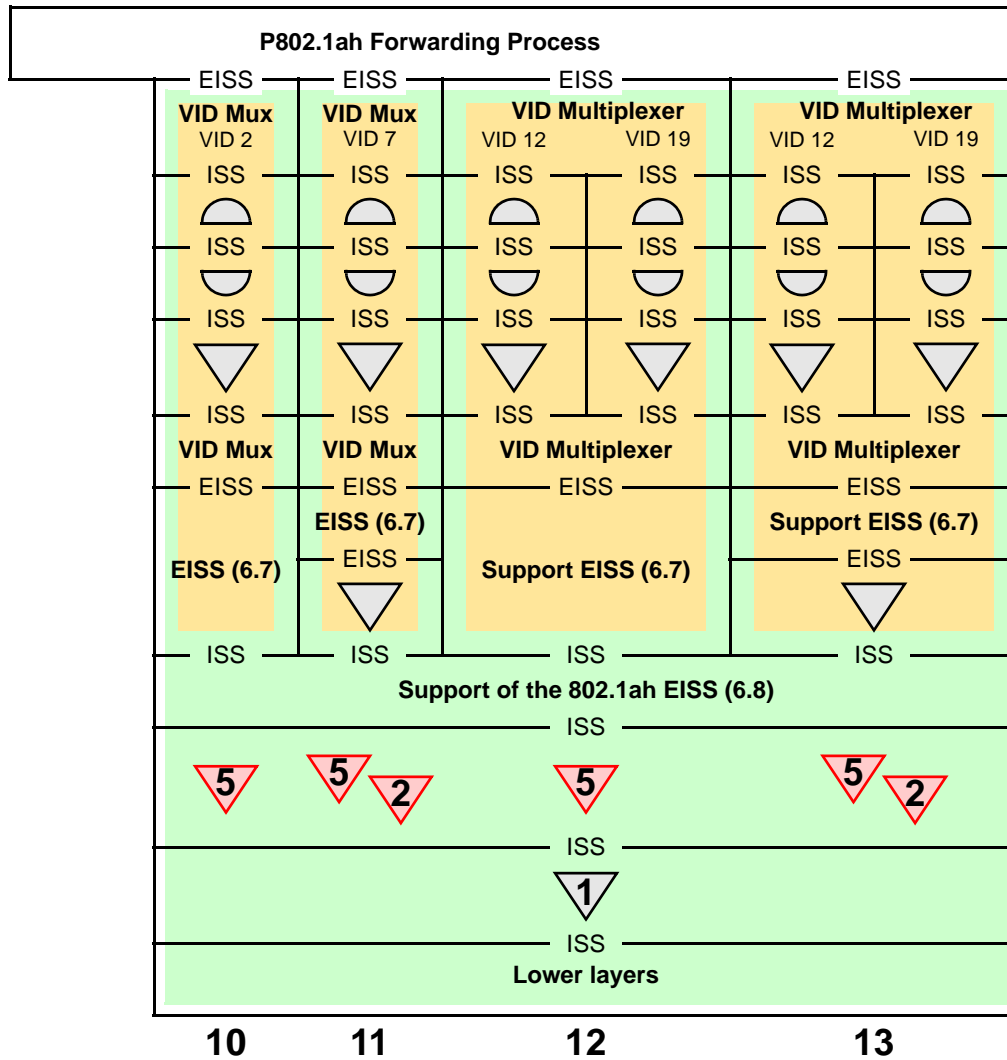


But, what B-destination does the MEP at level 1 use for an LBM?

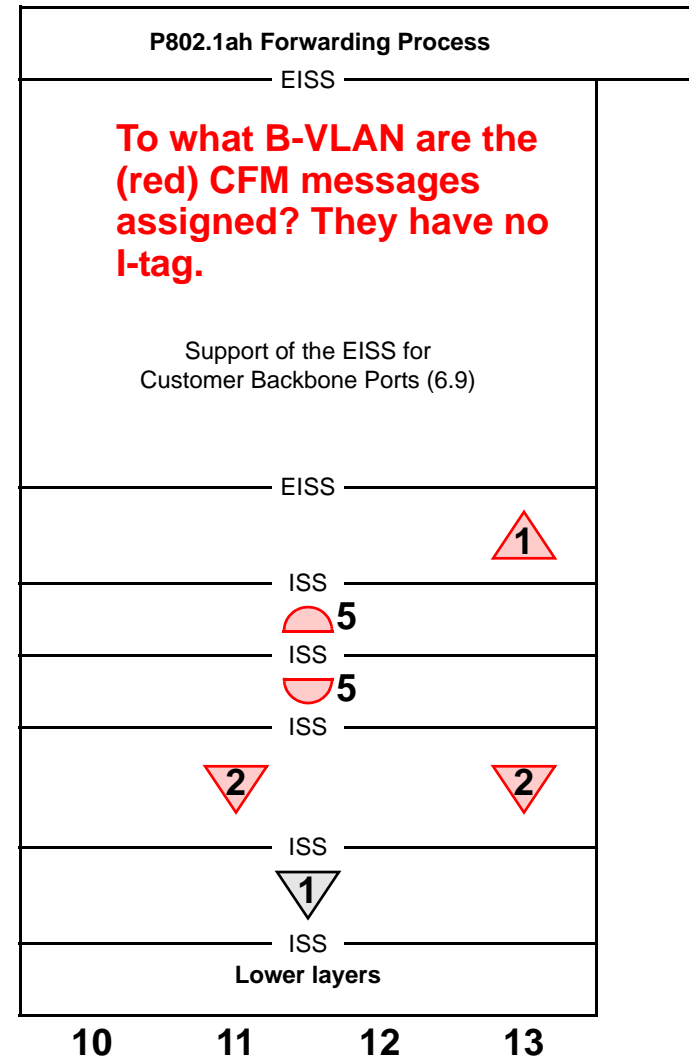
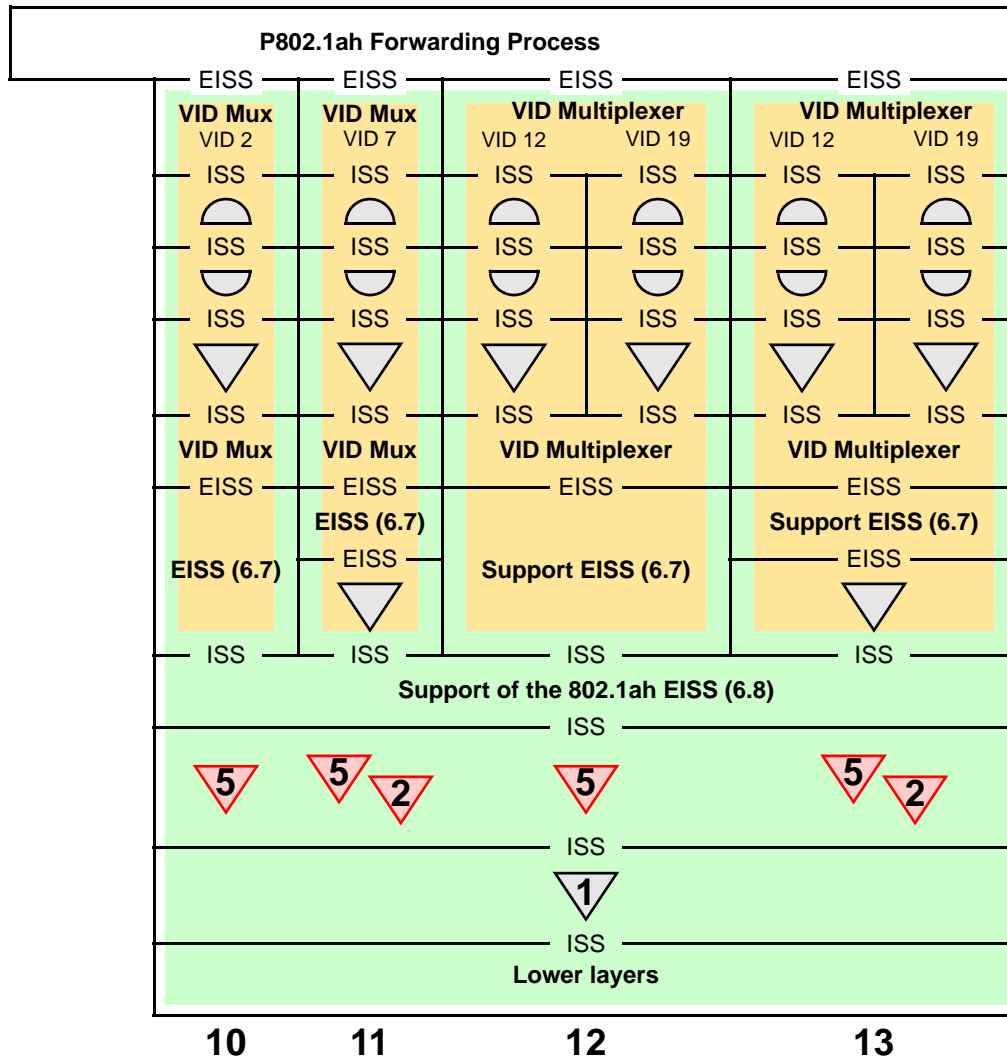


- **Error:** Every S-B or B-S transition requires an I-component's learning element.

I-Component with Connection MEPs

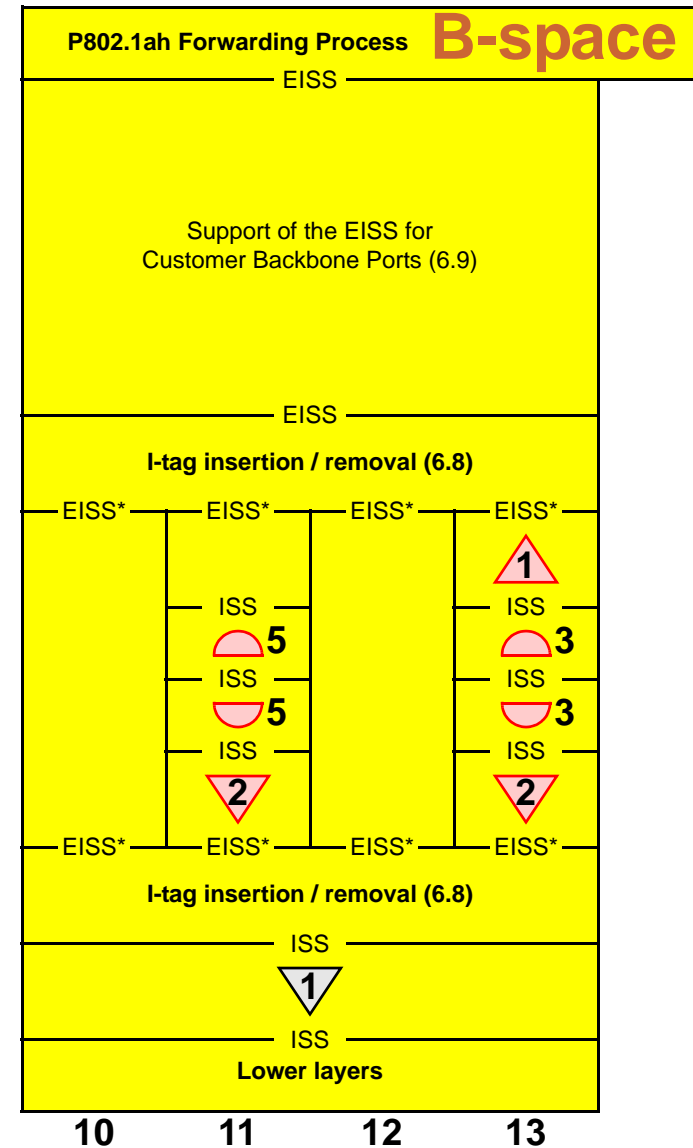
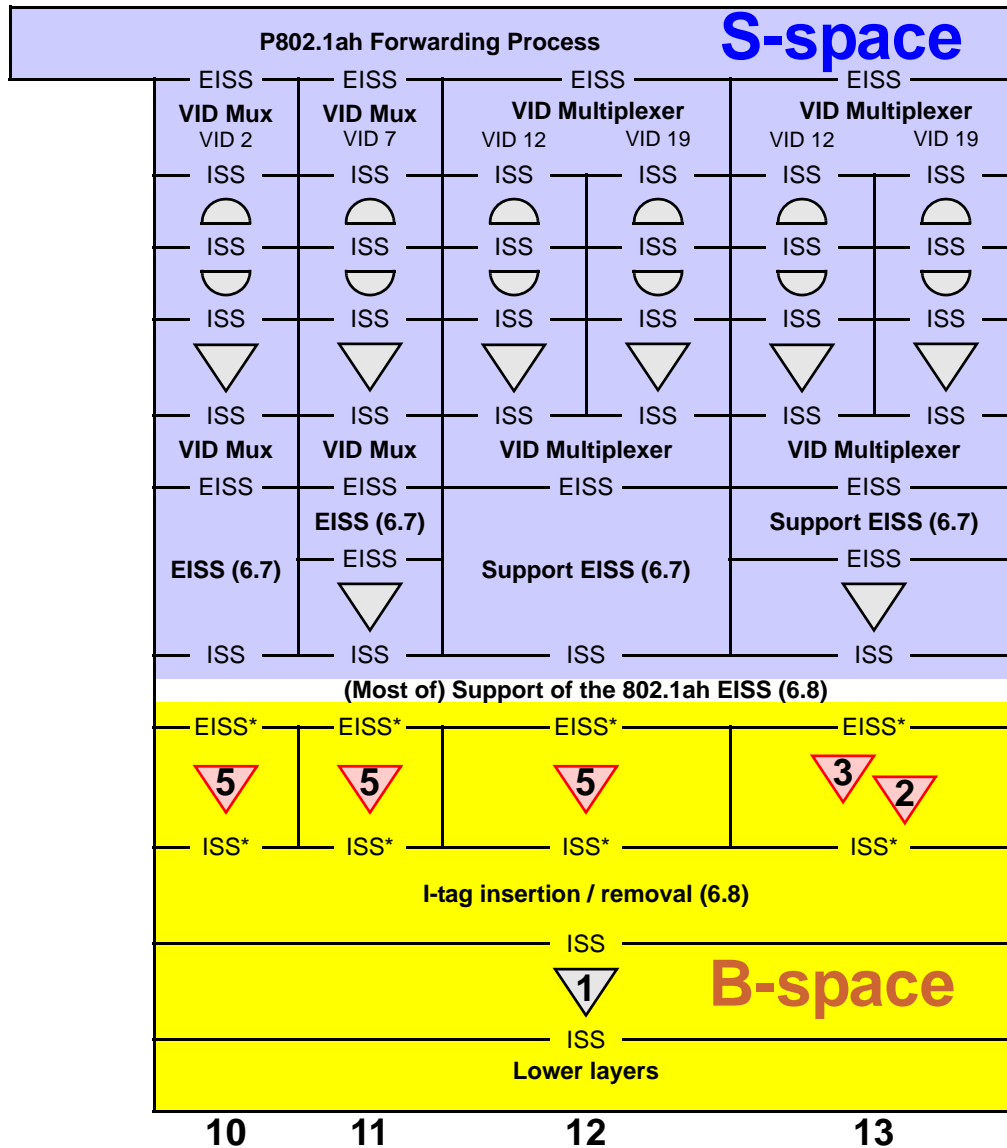


I-Component with Connection MEPs



- **Connection MEPs cannot pass an I-tagged NNI.**

I-Component with per I-SID MEPs seems to work.



* These interfaces are probably not really EISS and ISS interfaces; more work needed, here.

Conclusion

- **Some form of “short I-tag” is necessary. The exact encoding is To Be Determined.**