

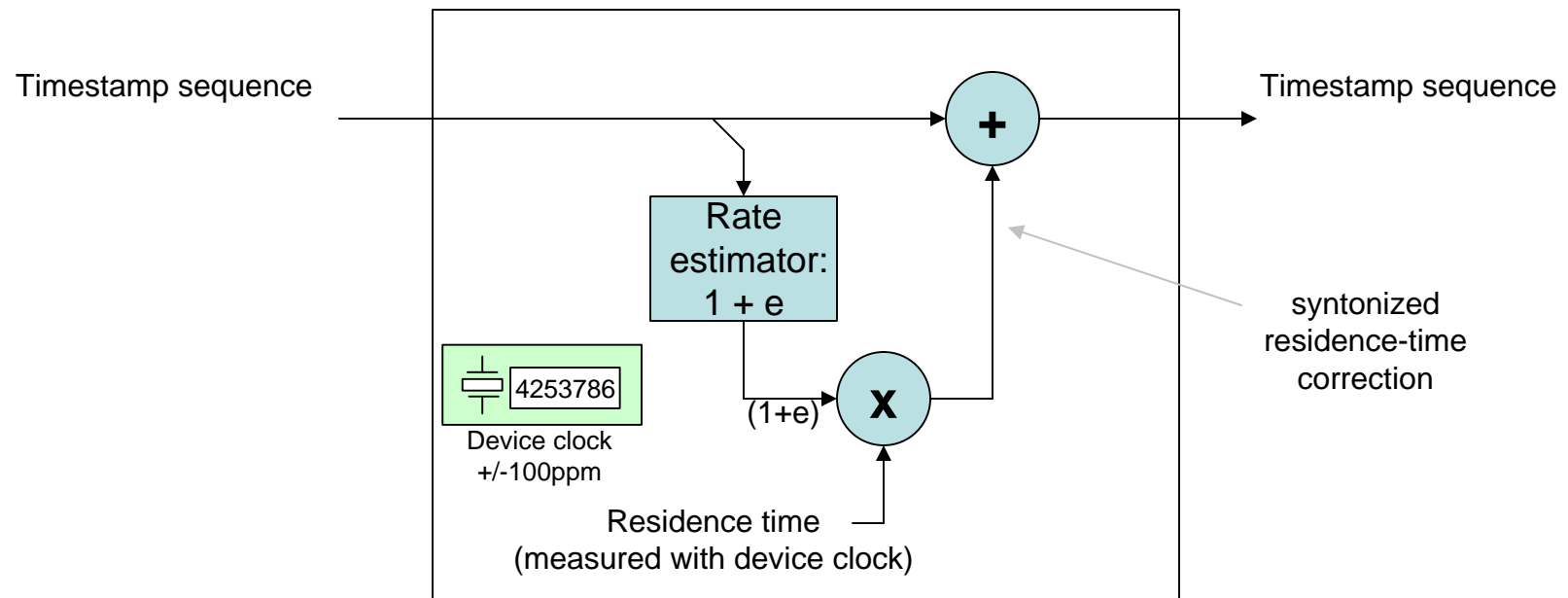
Transparent Clock Gain Cascade: Split-path scenario

802.1AS Precision Timing

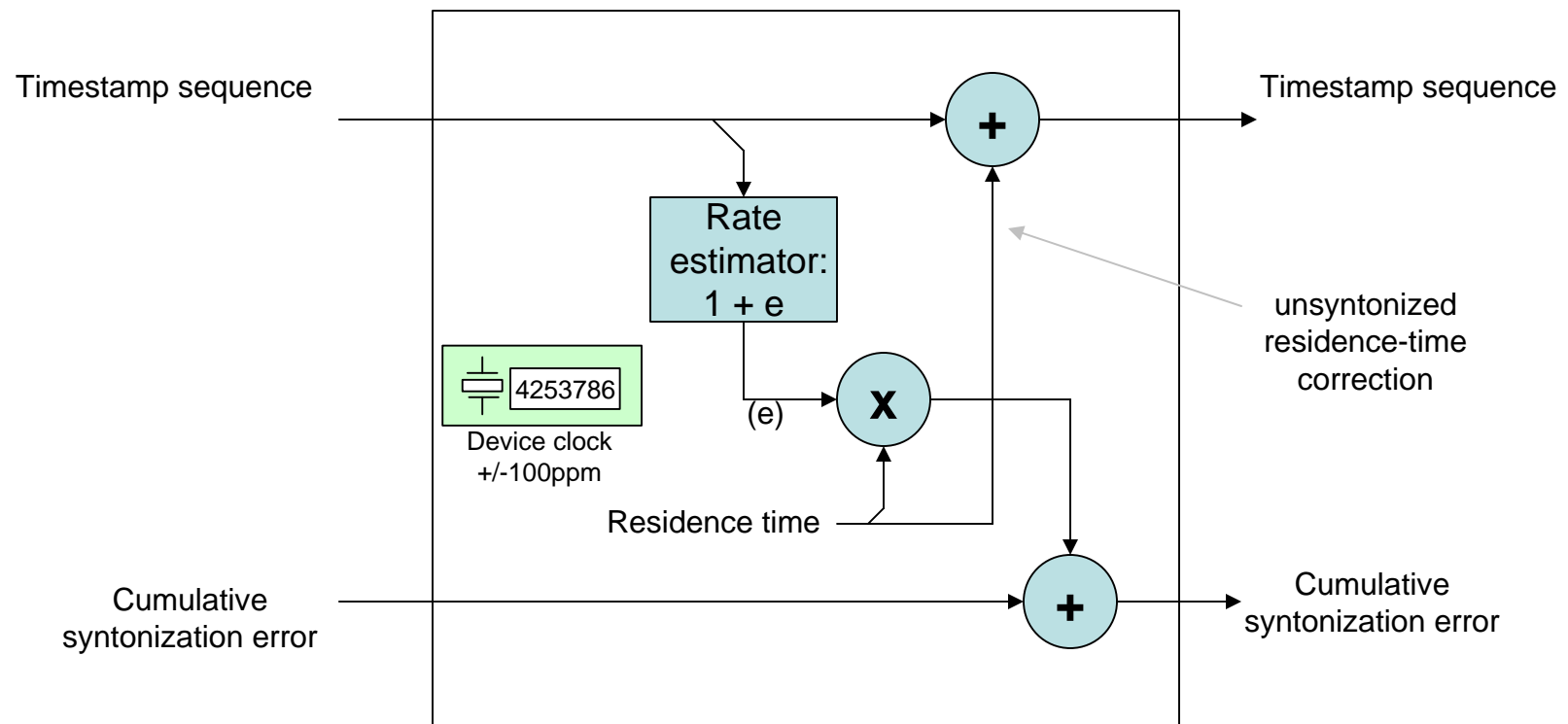
9 March 2007

Chuck Harrison

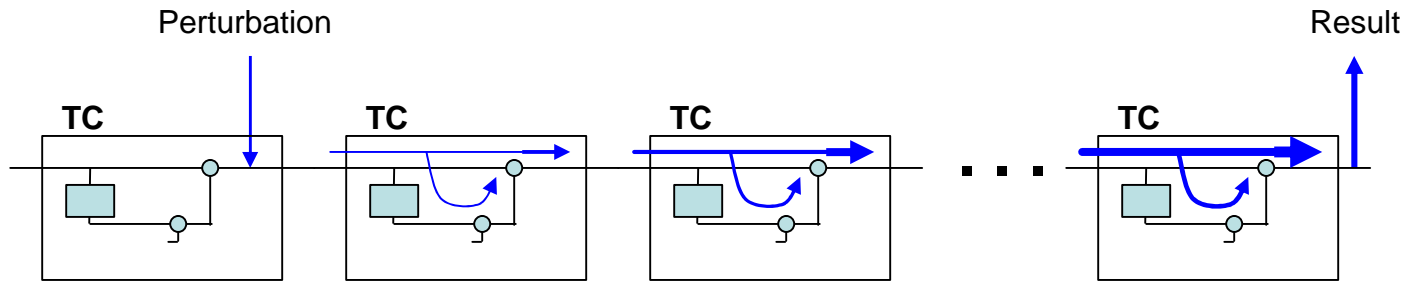
Syntonized TC model



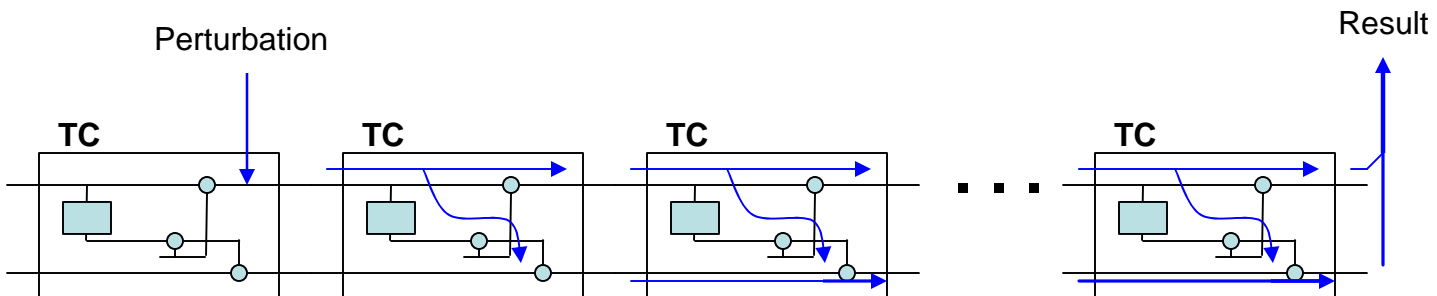
Split-path Synchronized TC model



Breaking the syntonization cascade



Gain cascade effect



Error summation effect