

P802.3bt D3.0 – Fixes to the Autoclass state diagram v100

Info (not part of baseline)

There are mistakes in the Autoclass PD state diagram:

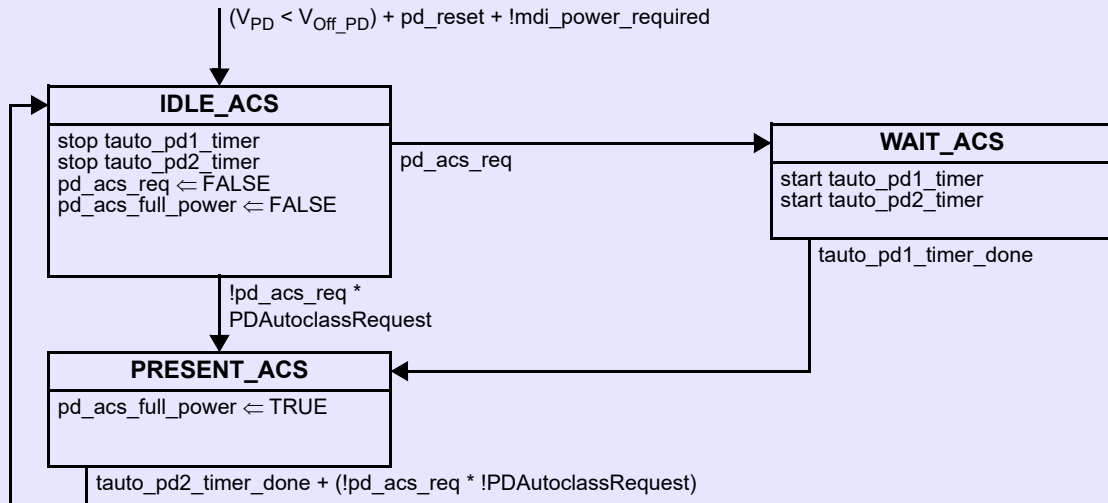


Figure 145-27—Single-signature PD Autoclass state diagram

Because `pd_acs_req` is set to `FALSE` in the `IDLE_ACS` state (which is executed continuously until $V_{PD} > V_{Off_PD}$), the PD instantly forgets it has to do Autoclass based on Physical Layer. By clearing `pd_acs_req` in `WAIT_ACS`, we no longer can have a single `PRESENT_ACS` state because we can't distinguish the exit conditions.

145.3.3.7 Single-signature PD state diagrams

Replace Figure 145-27 as follows:

