

Standardized optical link types

Pete Anslow, Ciena

IEEE Beyond 10 km Optical PHYs SG, Geneva, January 2018

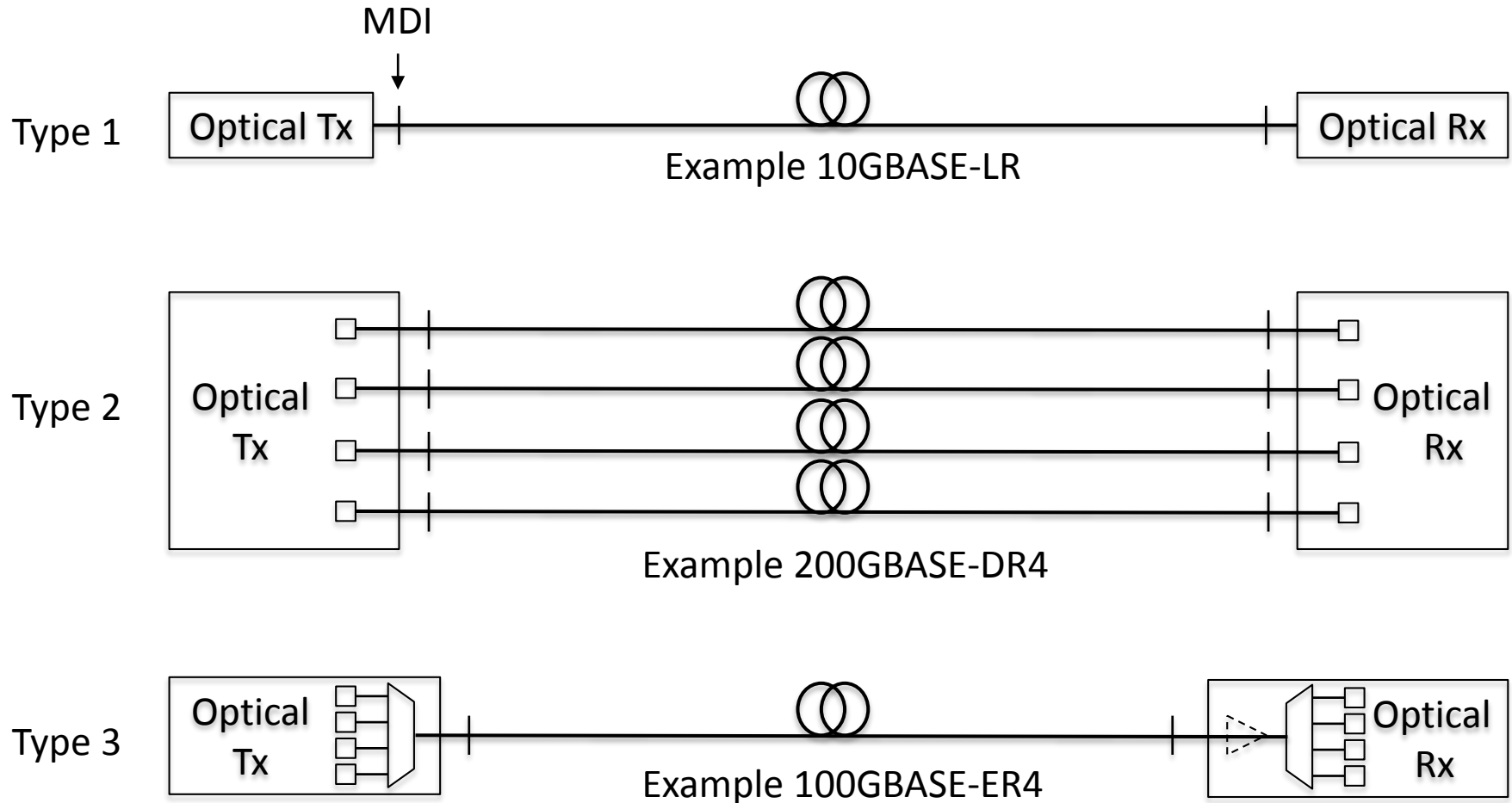
Introduction

There has been discussion in the IEEE 802.3 Beyond 10 km Optical PHYs Study Group over the possibility of creating new Ethernet PHYs that can operate over an optical path (from transmitter MDI to receiver MDI) that contains WDM components in addition to the usual optical fiber and connectors.

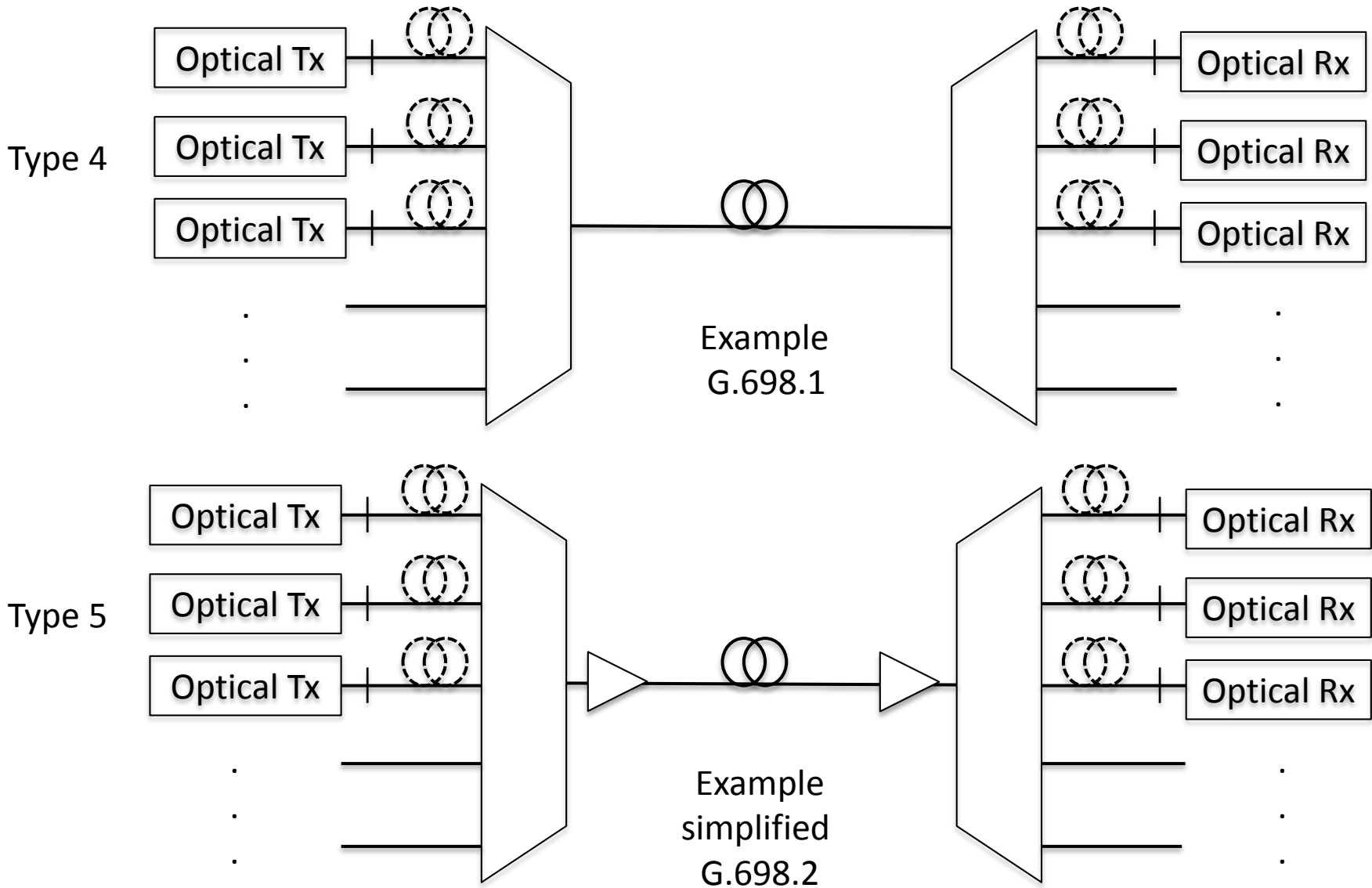
The terminology used in this space (e.g. “point-to-point DWDM system”) does not have any clear definitions and tends to be interpreted differently by different people.

This contribution tries to sidestep the terminology issue by providing block diagrams of six different reference optical link types that have been the subject of standardization in either IEEE or ITU-T.

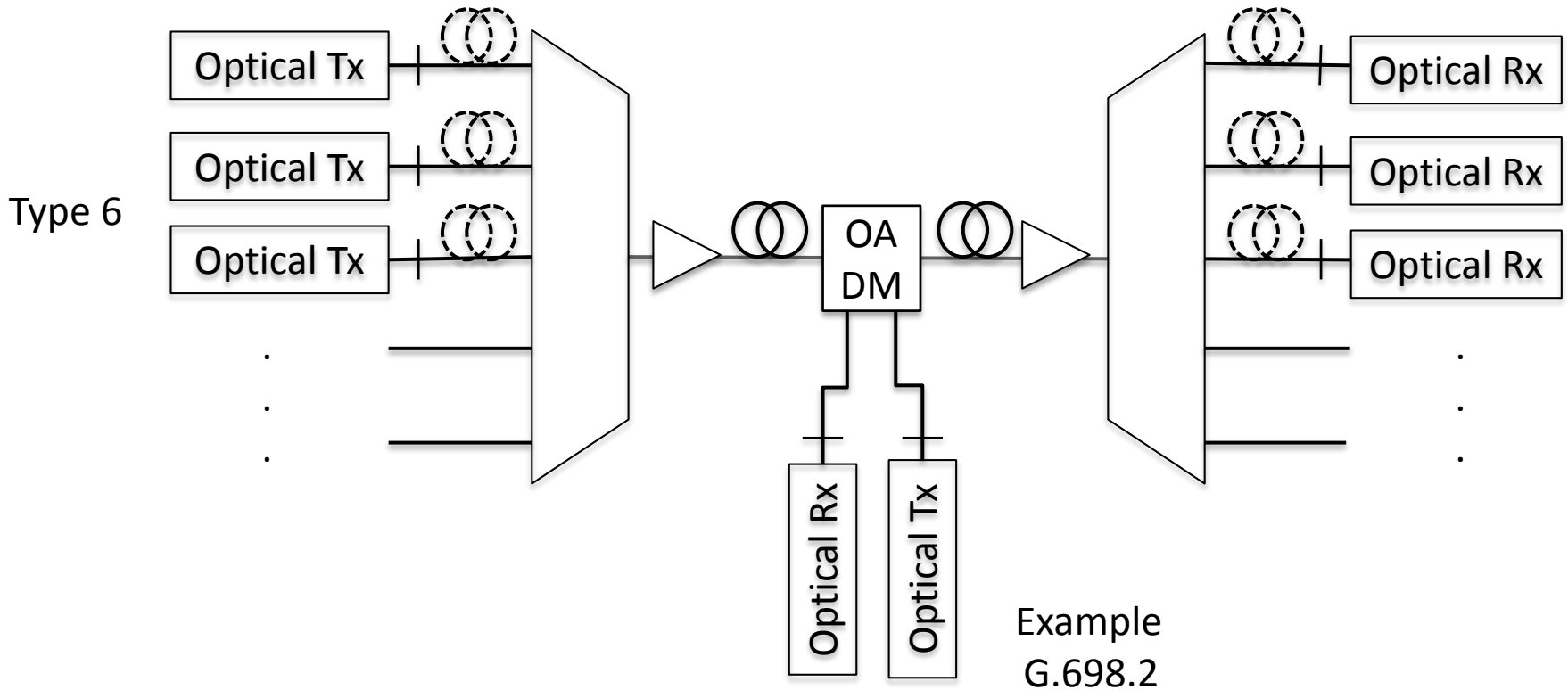
Optical link types 1 to 3



Optical link types 4 and 5



Optical link type 6



Thanks!