

200GBASE-DR4: A Baseline Proposal for the 200G 500m Objective

Brian Welch (Luxtera)

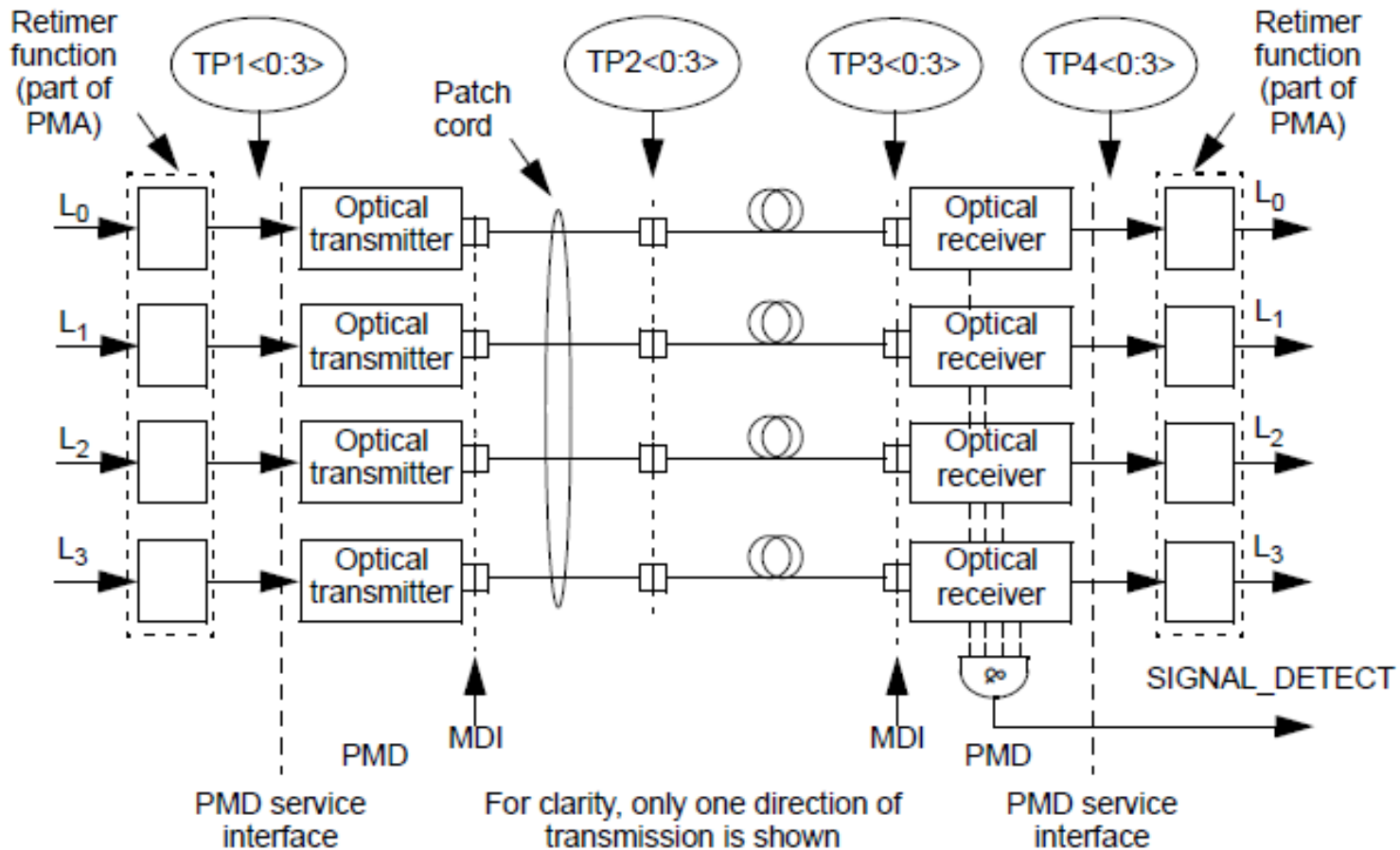
Notes

- Differences from 40GBASE-DR4 draft 1.3 highlighted in blue.

200G-DR4

- Configuration: A 4x50 Gb/s parallel SMF interconnect.
 - Four fibers per direction
- Reach $\geq 500\text{m}$
- Lane Speed: 50 Gb/s per lane using 25 GBaud-PAM4 optical signaling
- Uncorrected BER $< 2.4\text{e-}4$
- Single wavelength solution

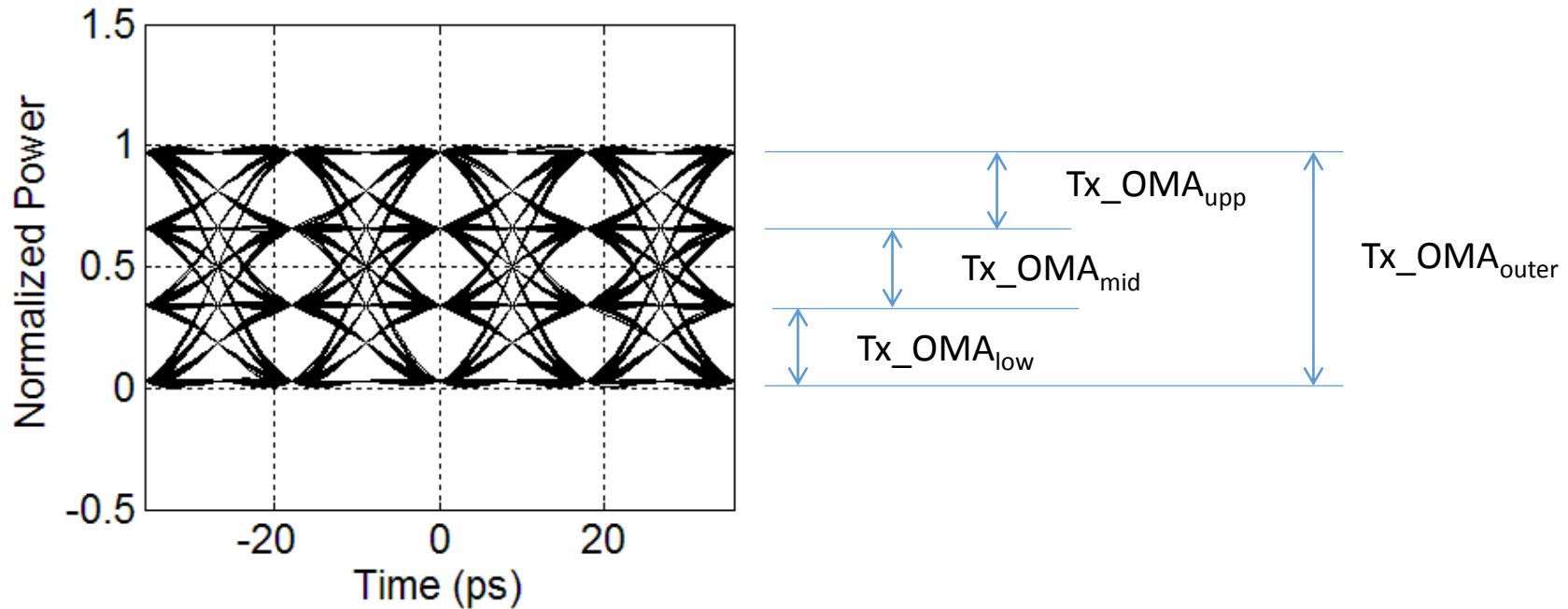
200G-DR4 Block Diagram



PMD:IS_UNITDATA_0.request
to PMD:IS_UNITDATA_3.request

PMD:IS_UNITDATA_0.indication
to PMD:IS_UNITDATA_3.indication

Transmitter Specifications



- Max OMA and ER specified based on outer Tx_OMA_{outer}
- Sensitivity and link budget based on inner $Tx_OMA_{low/mid/upp}$
 - Spec applies to minimum of 3 inner eye transitions

200G-DR4: Transmitter Specifications (TP2)

Description	Value	Unit
Signaling rate, each lane (Range)	26.5625 ± 100 ppm	GBd
Modulation Format	PAM4	
Lane wavelengths (range)	1304.5 to 1317.5	nm
Side-mode suppression ratio (SMSR), (min)	30	dB
Average launch power, each lane (max)	3	dBm
Average launch power, each lane (min)	-4.6	dBm
Outer Optical Modulation Amplitude (OMA _{outer}), each lane(max)	2.8	dBm
Outer Optical Modulation Amplitude (OMA _{outer}), each lane(min)	-2.5	dBm
Launch power in OMA _{outer} minus TDP, each lane (min)	-3.5	dBm
Transmitter and dispersion penalty (TDP), each lane (max)	2.5	dB
Average launch power of OFF transmitter, each lane (max)	-30	dBm
Extinction ratio, each lane, (min)	4.5	dB
RIN ₂₅ OMA (max)	-142	dB/Hz
Optical return loss tolerance (max)	24.7	dB
Transmitter reflectance (max)	-26	dB
Transmitter eye mask definition	TBD	

All Parameters Subject to Change

200G-DR4: Receiver Specifications (TP3)

Description	Value	Unit
Signaling rate, each lane (Range)	26.5625 ± 100 ppm	GBd
Modulation Format	PAM4	
Lane wavelengths (range)	1304.5 to 1317.5 nm	nm
Damage threshold, each lane	6.5	dBm
Average receive power, each lane (max)	3.0	dBm
Average receive power, each lane (min)	-7.6	dBm
Receive power, each lane (OMA_{outer}) (max)	2.8	dBm
Receiver reflectance (max)	-26	dB
Receiver sensitivity (OMA_{inner}), each lane (max)	-11.4	dBm
Stressed receiver sensitivity (OMA_{inner}), each lane (max)	TBD	dBm
Conditions of stressed receiver sensitivity test:		
Condition 1	TBD	
Condition 2	TBD	

*† Received sensitivity reported in 'NRZ mode' and uncorrected BER, equivalent to sensitivity for any sub-eye low/mid/upp
All Parameters Subject to Change*

200G-DR4 : Link Parameters

Description	Value	Unit
Operating distance	500	m
Signaling rate, each lane (Range)	26.5625 ± 100 ppm GBd	
Encoding type	PAM4	
Lane wavelength (range)	1304.5 to 1317.5 nm	nm
Uncorrected BER	< 2.4e-4	
Channel insertion loss (max)	3	dB
Channel insertion loss (min)	0	dB
Allocation for penalties, at max TDP (dB) [†]	2.6	dB
MPI Penalty	0.1	dB
Power margin, at min TDP	9.1	dB
Maximum discrete reflectance	-45	dB
Max number of -45 dB reflections	4	
Positive dispersion (max)	0.8	ps/nm
Negative dispersion (min)	-0.93	ps/nm
DGD_max	2.24	ps
Optical return loss (min)	39	dB

All Parameters Subject to Change

200G-DR4 : Link Parameters (continued)

Description	Value	Unit
Nominal fiber specification wavelength	1310	nm
Cabled optical fiber attenuation (max)	0.5	dB/km
Zero dispersion wavelength (λ_0)	$1300 \leq \lambda_0 \leq 1324$	nm
Dispersion slope (max) (S_0)	0.093	ps/nm ² km

PMD type	Dispersion (ps/nm)		Insertion Loss	Optical Return Loss	Max mean DGD
	Minimum	Maximum			
200GBASE-DR4	$0.0011625 \times \lambda \times [1 - (1324/\lambda)^4]$	$0.0011625 \times \lambda \times [1 - (1300/\lambda)^4]$	Minimum	24.7	0.5 ps

All Parameters Subject to Change

Optical Lane Assignments

- The four transmit and four receive optical lanes of 200GBASE-DR4 shall occupy the positions depicted in Figure xxx-x when looking into the MDI receptacle with the connector keyway feature on top. The interface contains eight active lanes within twelve total positions. The transmit optical lanes occupy the left-most four positions. The receive optical lanes occupy the right-most four positions. The four center positions are unused.

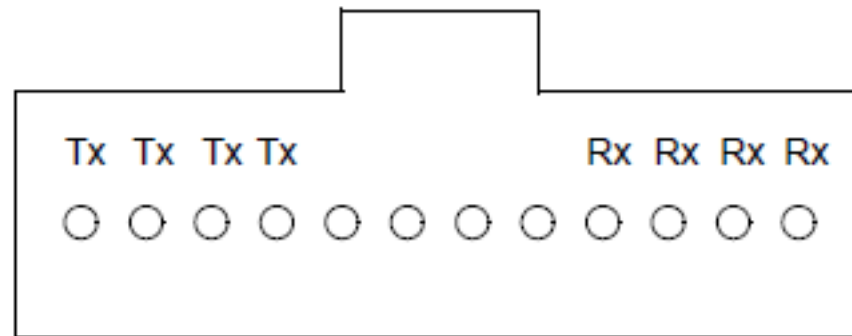


Figure xxx-x- 200GBASE-DR4 optical lane assignments

200G-DR4

- Configuration: A 4x50 Gb/s parallel SMF interconnect.
 - Four fibers per direction
- Reach $\geq 500\text{m}$
- Lane Speed: 50 Gb/s per lane using 25 GBaud-PAM4 optical signaling
- Uncorrected BER $< 2.4\text{e-}4$
- Single wavelength solution

200GBASE-DR4: A Baseline Proposal for
the 200G 500m Objective

Thank You