



AHEAD OF WHAT'S POSSIBLE™

Simplified Pull Down scheme

GITESH BHAGWAT

SANTA BARBARA DESIGN CENTER



Number of Occupants: 3-4
Occupancy Level: 12%

NE

70°F
21°C

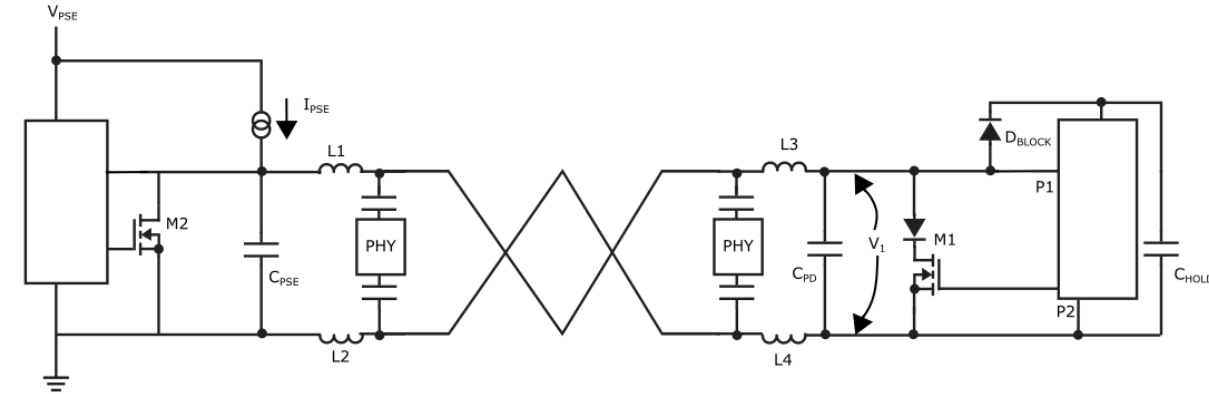
CO ₂	VOC
540	0.6
PPM	PPM

Presentation Outline

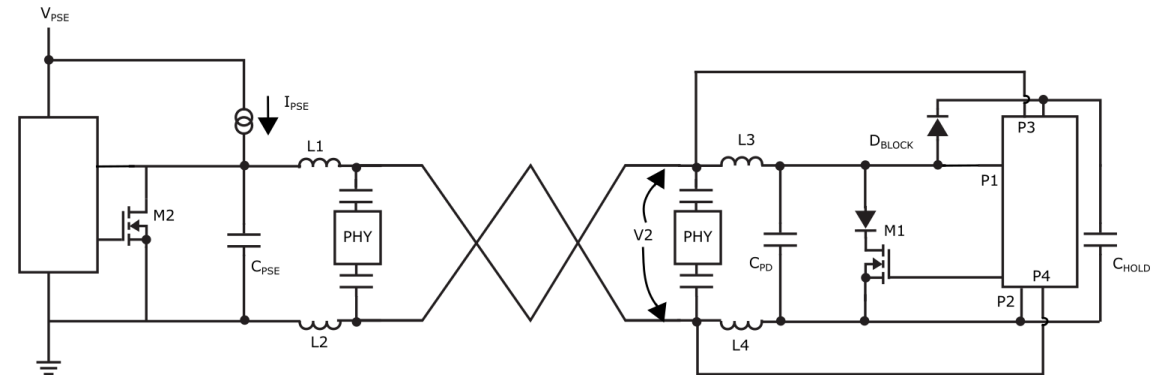
- ▶ Few issues with traditional pull down scheme
- ▶ Simplified Pull Down scheme
 - FET and blocking devices (diode or another FET)
 - Additional magnetic device for boosting Return Loss
- ▶ Additional Benefits of the scheme
 - (Eliminating Kelvin Sensing)
 - Eliminating Voltage Measurement at PD for CRM

Few Issues with traditional Pull Down scheme

- ▶ Inaccuracy due to Power Coupling Network
 - DCR of Coupling Inductors introduces inaccuracy in measured cable resistance

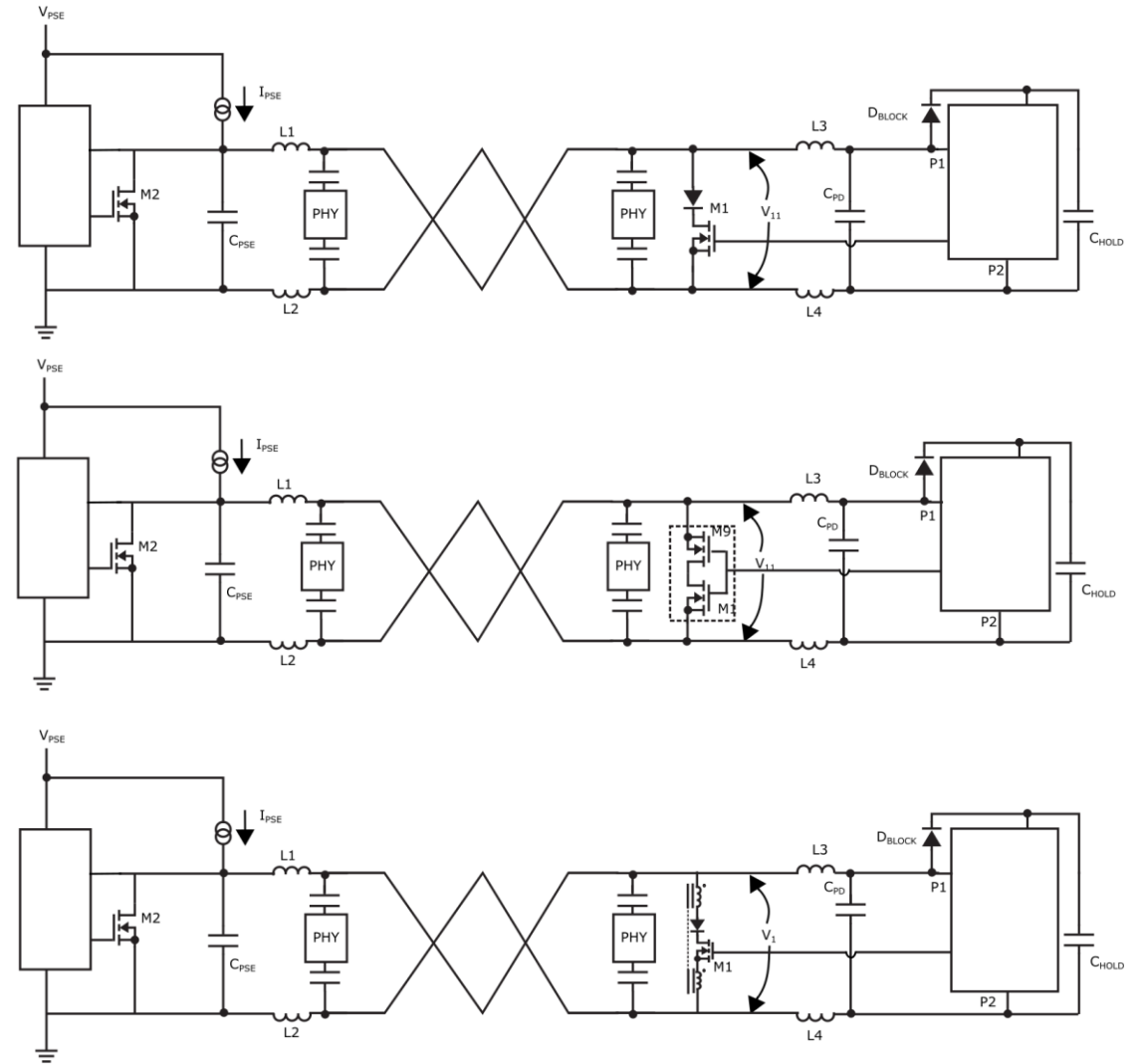


- ▶ Need additional connections for Kelvin Sensing
 - Kelvin sensing can be implemented to eliminate the DCR inaccuracy at the cost of more connections



Simplified Pull Down Scheme

- ▶ Pull Down FET and reverse blocking device are placed on the Line Side of power coupling inductors
 - Kelvin sensing implemented using connection thru the coupling inductors, without additional connections
- ▶ Reverse blocking device can be another back to back connected MOSFET
- ▶ Additional magnetic device may be added to boost Return Loss

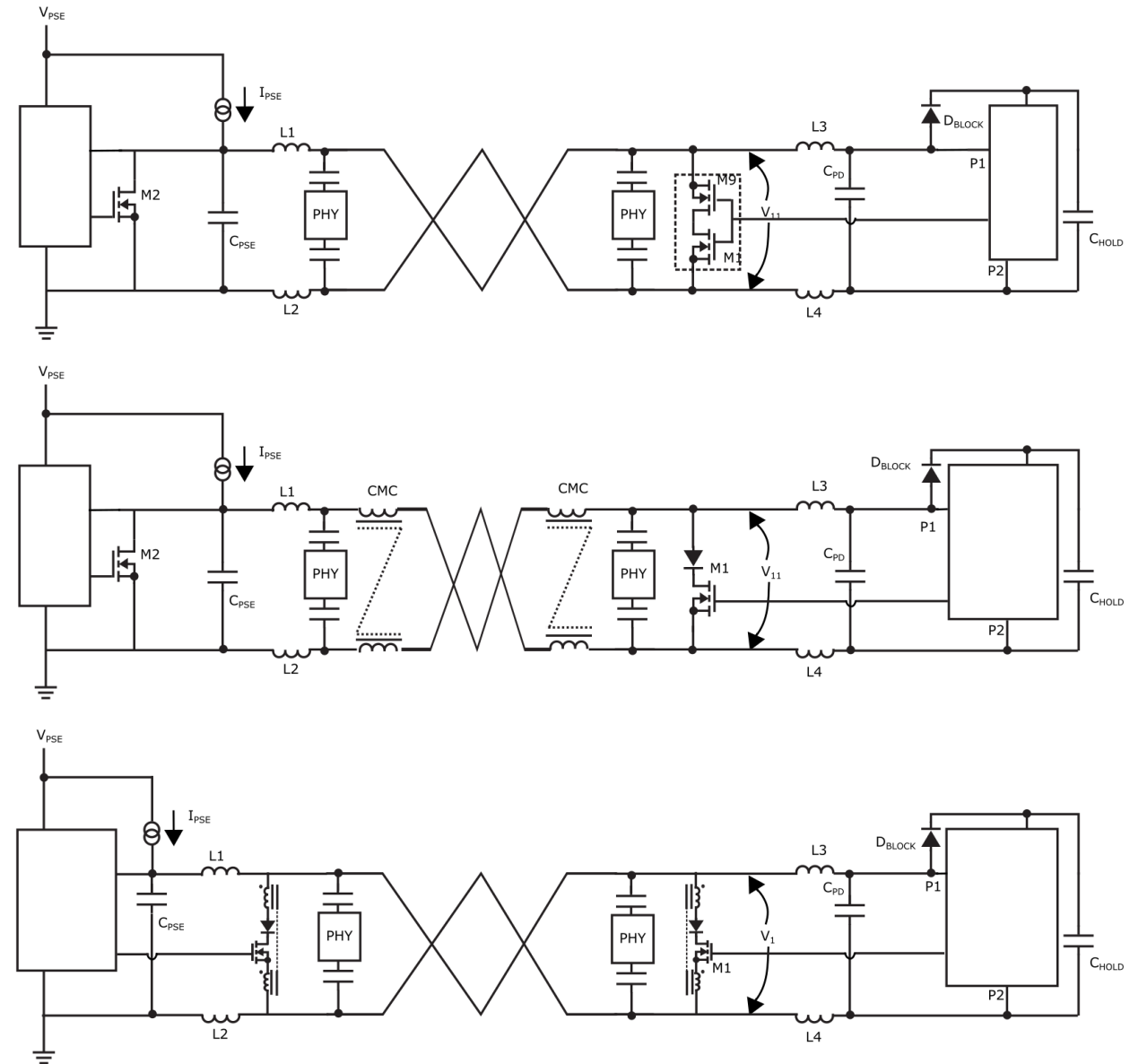


Additional Benefits of the Scheme

- ▶ Low R_{DS-ON} FETs can be used to Pull Down
 - With a strong enough Pull Down, Voltage at PD PI need not be measured
 - Can be reported as a fixed pre-programmed voltage
 - Also useful in achieving a lower threshold voltage for SCCP

- ▶ Noise at PI can be reduced by using CMC

- ▶ Similar schemes can be used at PSE as well



Thank You!

QUESTIONS? FEEDBACK?