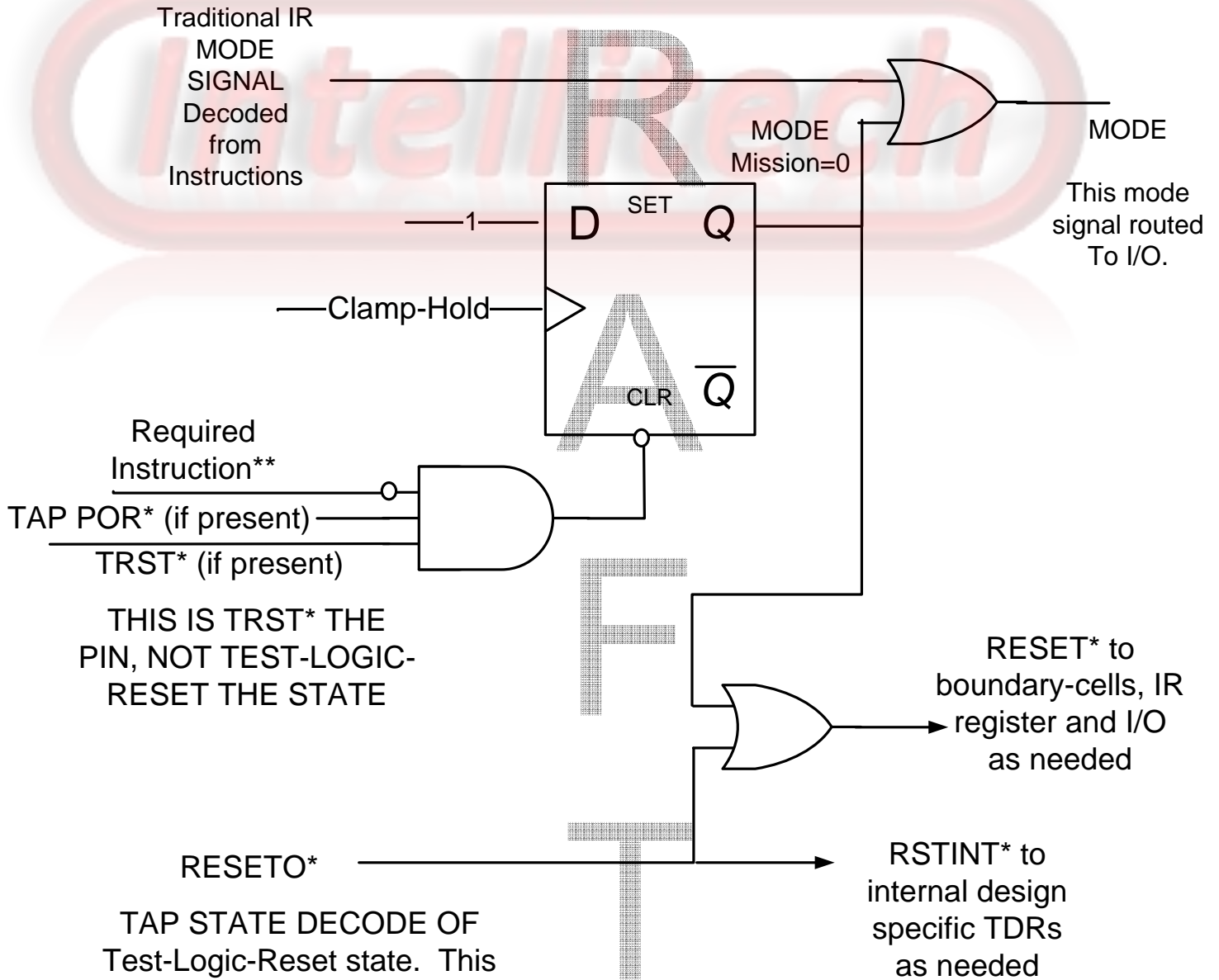


Assumes the decode of an instruction is a logic '1'
 Mission mode is a logic '0'
 Can be universal for all TAPs without re-design each time
 Gives flexibility to run on-chip tests in-situ with pins clamped

D



**Any Required Instruction
 BYPASS
 EXTEST
 SAMPLE
 PRELOAD
 and IDCODE