

IEC/IEEE 60802 Digital Datasheet



Lukas Wüsteney,
Stephan Kehrer, **Hirschmann Automation and Control GmbH**

September 2022

Current state in IEC/IEEE 60802 D1.4

- D1.4 states the following:
The Digital Data Sheet of an IA-station provides a collection of all instantiated data nodes of all YANG modules that are present in the local database of the IA-station. This includes all YANG modules required by this profile, as well as all additional modules that have been added by the manufacturer.
- This means:
 - All managed objects that have a YANG representation get exported.
 - Actual capabilities of an implementation have to be available in the respective YANG modules to be represented in the Digital Datasheet.

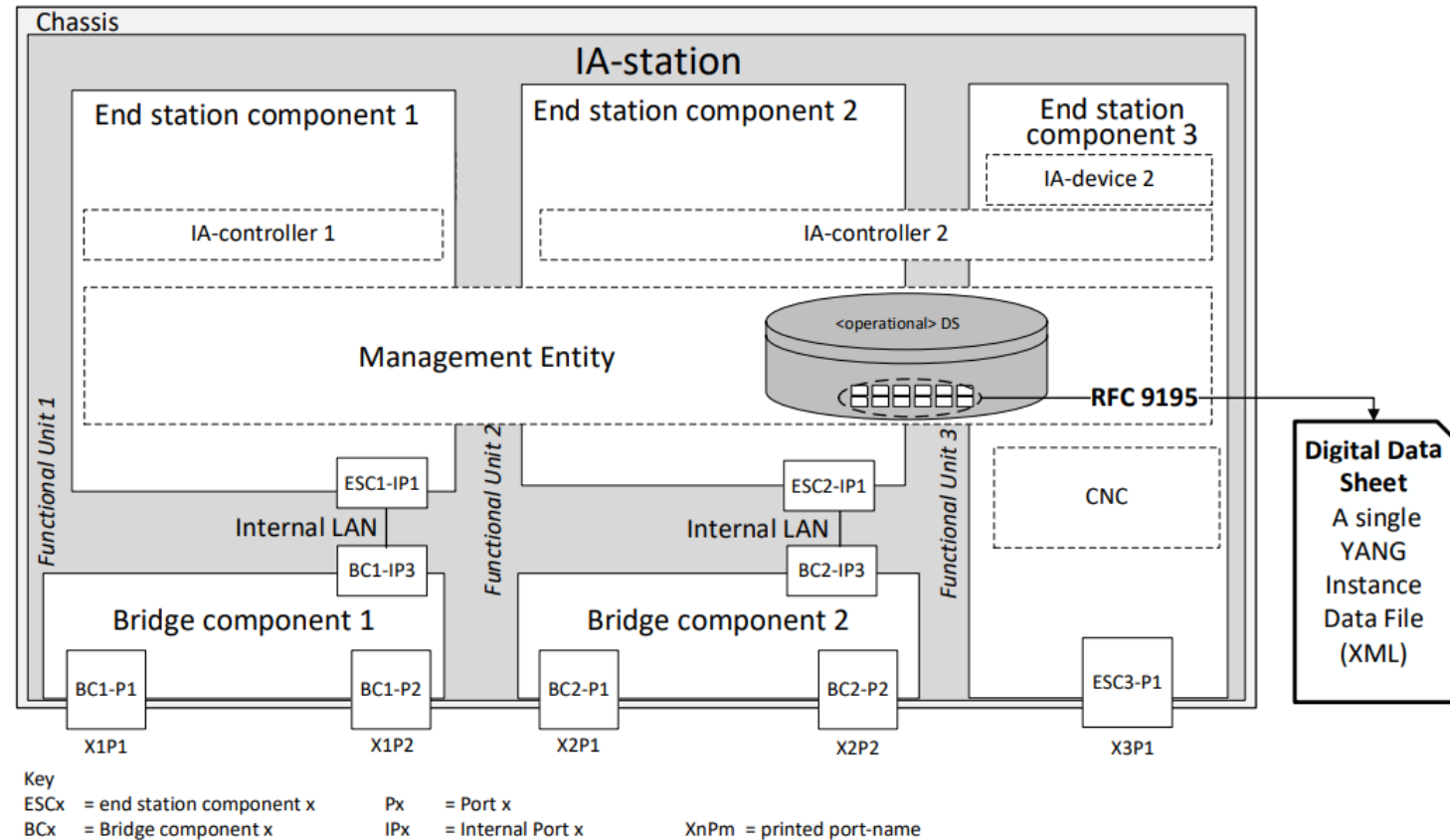


Figure 31 – Creation of the digital data sheet of an IA-station

Auto generation of the Digital Datasheet

With the current statement on how to generate the Digital Datasheet two issues exist that should be addressed:

1. There is no overview in IEC/IEEE 60802 on what the Digital Datasheet contains (i.e., what objects exactly are exported to create the Digital Datasheet).
 - This makes it hard for readers of the profile to understand the contents of the Digital Datasheet.
 - The Digital Datasheet most likely will differ from vendor to vendor, especially if vendor specific information is included.
2. The Digital Datasheet will contain information that is not useful in the context of a datasheet, e.g., statistics counters or the configuration of specific features. This leads to a convoluted datasheet that is hard to understand and requires more memory than necessary.
 - Examples for unnecessary information currently ending up in the datasheet are
 - Statistical data: `/ieee802-dot1ab-11dp/11dp/remote-statistics`
 - Configurable objects: `/ieee802-dot1ab-11dp/11dp/port/notification-interval`

Proposed solution: Define the context and structure of the Digital Datasheet as a YANG module in IEC/IEEE 60802.

Missing objects for capabilities/quantities

Problem: Some objects for capabilities/quantities are missing in existing YANG modules. In order to get them into the Digital Datasheet they need to be defined somewhere.

- **Possible approaches to solve the issue:** Implementation of managed objects for device capabilities/quantities is done:
 1. by updating the YANG module(s) that model the respective feature associated with the capabilities/quantities.
 2. by defining them in the context of the IEC/IEEE 60802 Digital Datasheet.
 3. by creating individual augmentations for the YANG module(s) that model the respective feature associated with the capabilities/quantities.
 4. in one dedicated project with the scope to add all of the missing objects to the respective base standards.

For all these approaches it is first necessary to identify the actual gaps (which capabilities/objects are currently missing from the existing YANG modules) so they can be addressed.

Thank you!

Any questions?