



Contribution in support of P802.3cz/D3.01 comment I-163 resolution

Rubén Pérez-Aranda, KDPOF

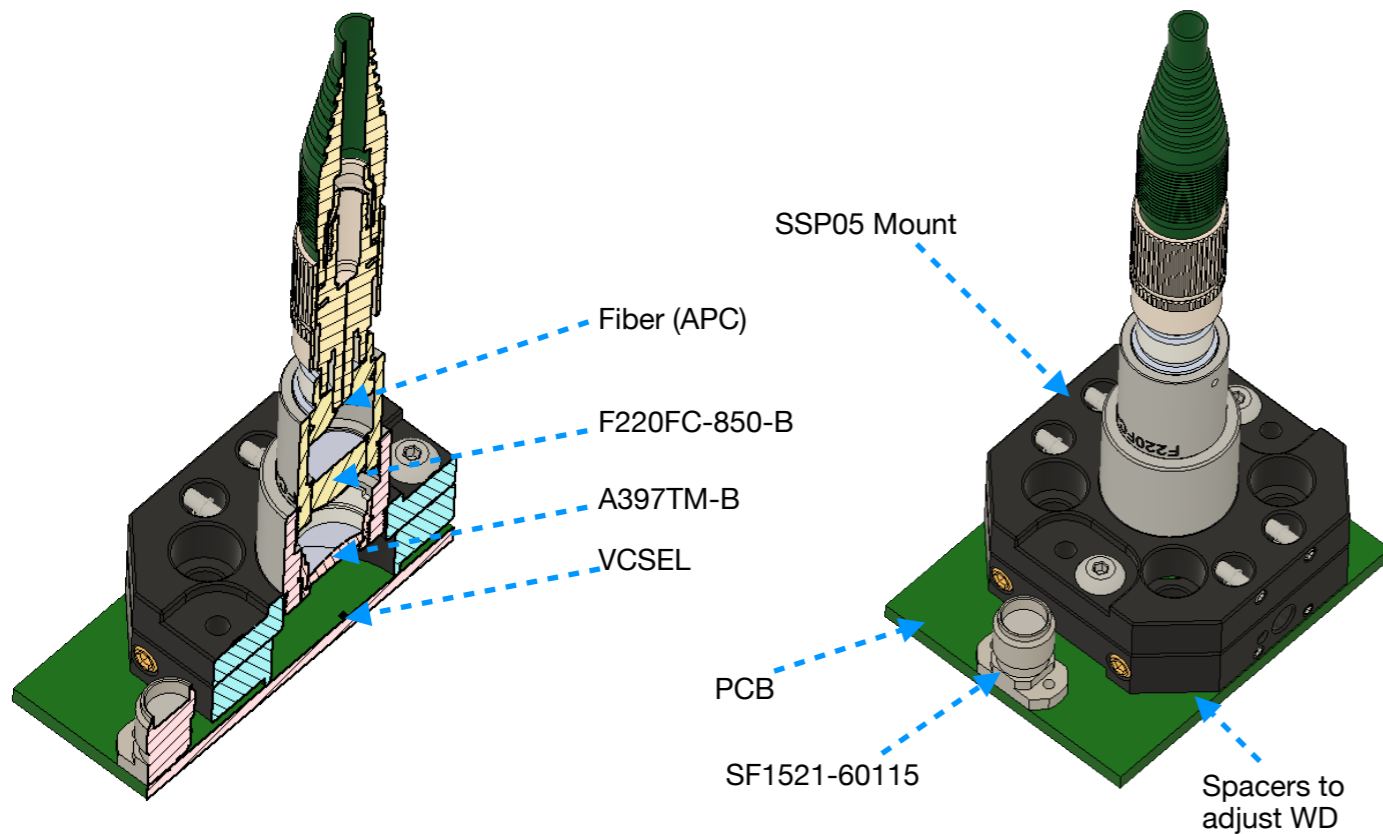
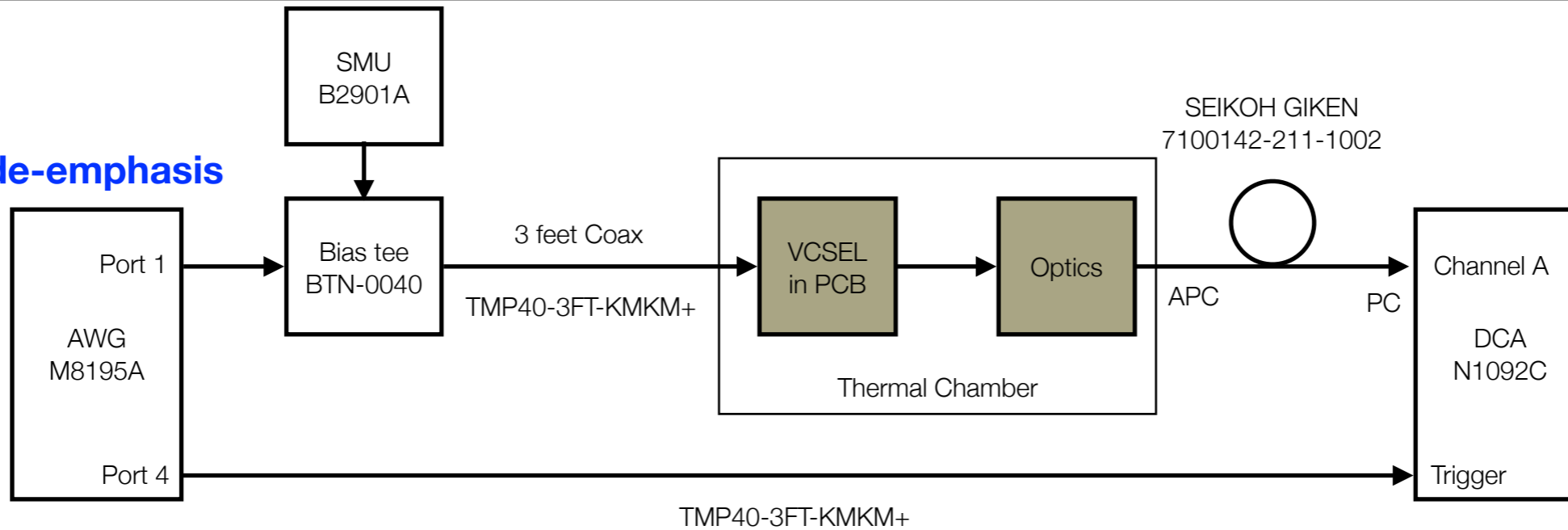
Introduction



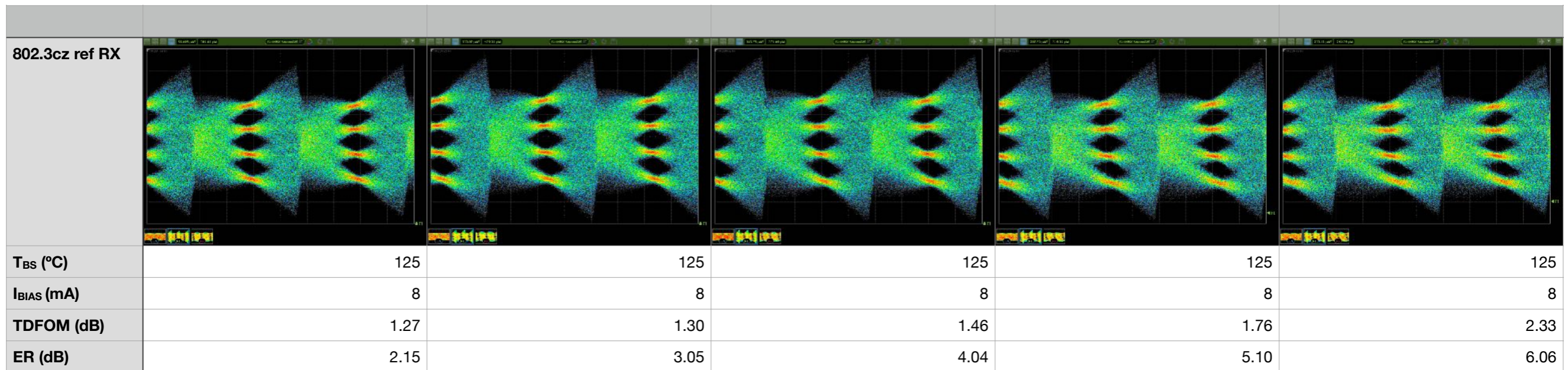
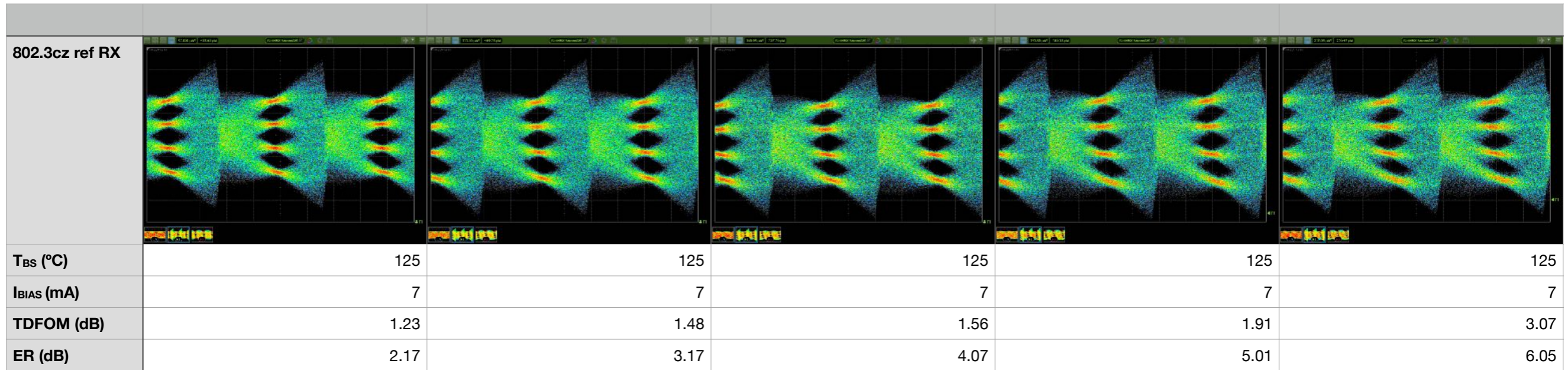
- New VCSEL E/S evaluated in the development of 802.3cz PHYs have been measured at back-side temperature 125C with different bias current and extinction ratio
- The reported TDFOM values in high ER supports the min ER of 4 dB is feasible with margin

Tes setup

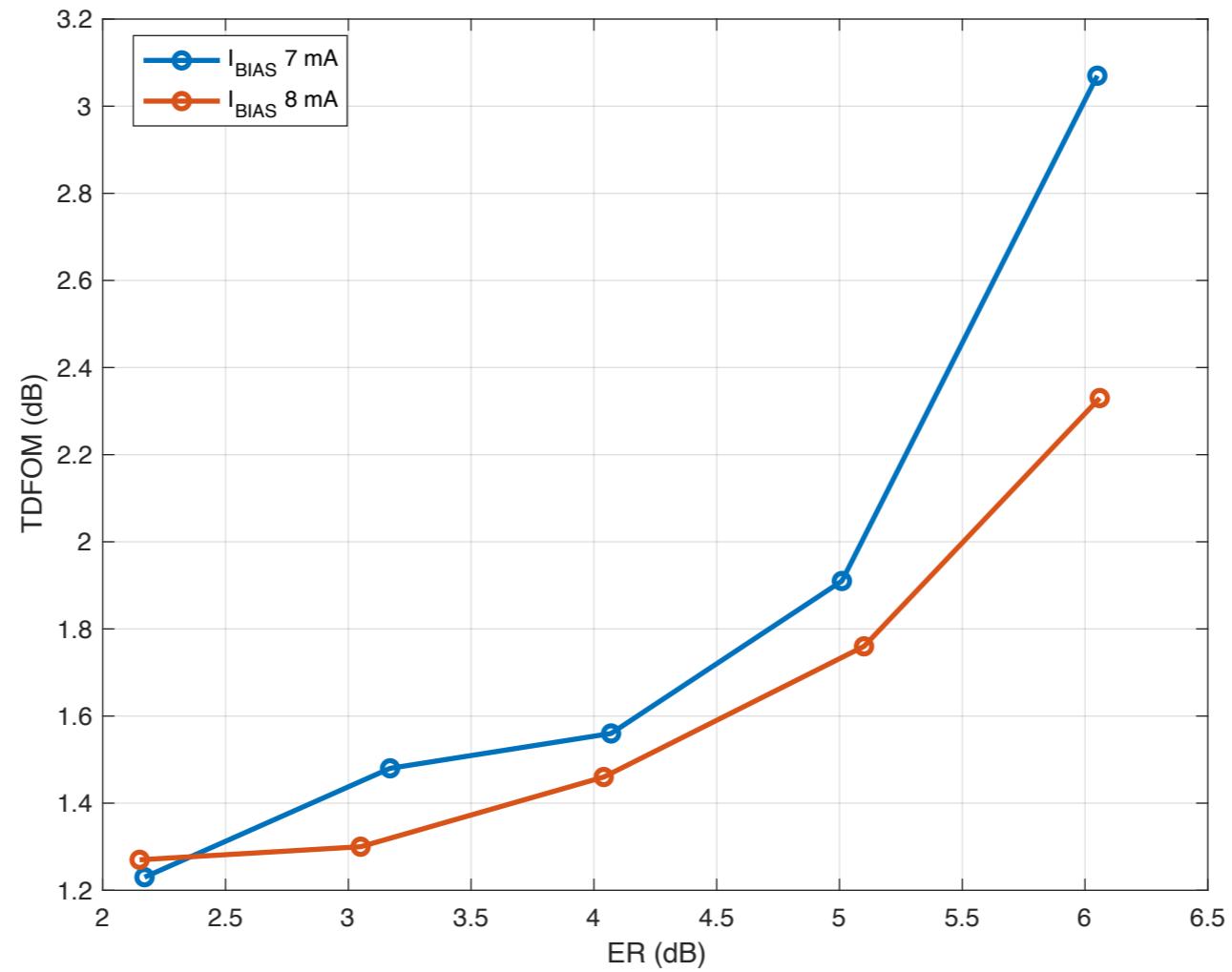
NO pre/de-emphasis



TDFOM vs ER, 50 Gb/s PAM4, $T_{BS} = 125C$



TDFOM vs ER, 50 Gb/s PAM4, $T_{BS} = 125C$





Thank you