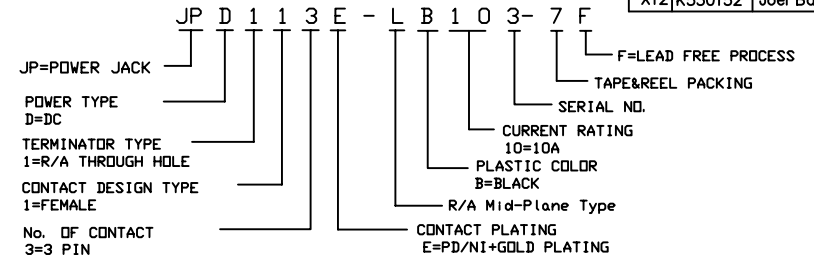


ACAD GENERATED DRAWING, DON'T CHANGE BY HAND.

REV.	ECN. NO.	APPD.
X8	K4C0418	Max. Wu
X8	K4C0510	Joel Bao
X9	K512019	Joel Bao
X10	K520193	Joel Bao
X11	K530079	Joel Bao
X12	K530152	Joel Bao

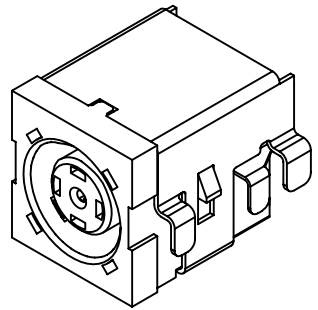
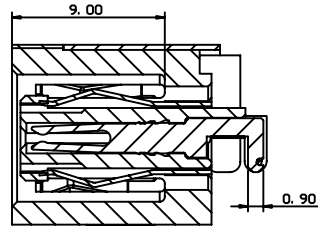
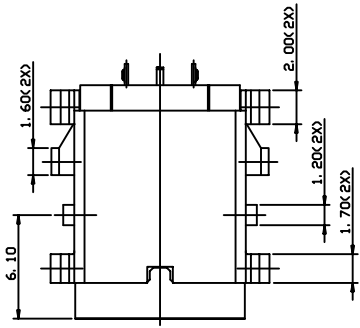
PART NO. MATRIX:



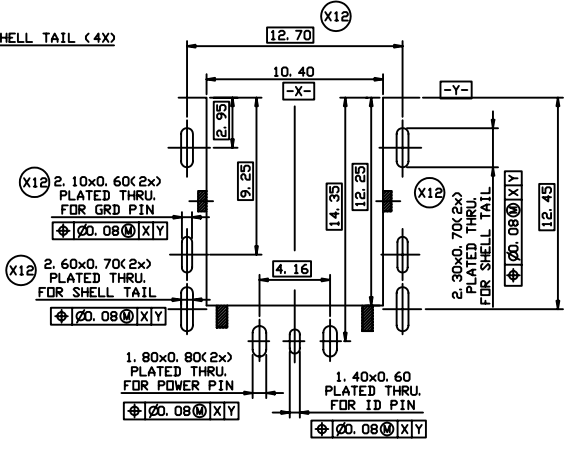
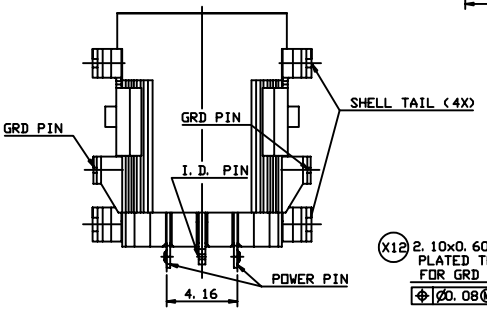
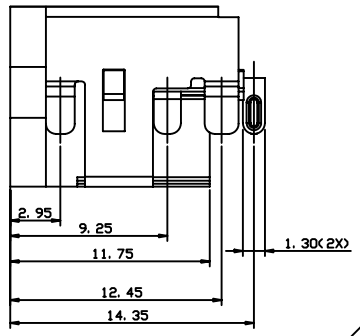
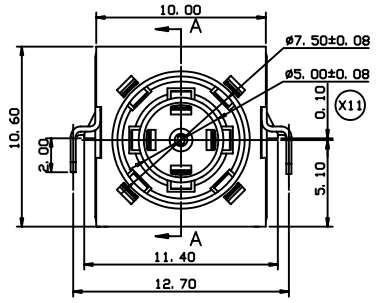
SPECIFICATION:

- ELECTRICAL CHARACTERISTICS:
 - CONNECTOR RATED CURRENT: 10A & 30° MAX. T OVER AMBIENT PER PORT.
RATED VOLTAGE: 30V AC OR 42V DC
 - INSULATION RESISTANCE: 100 MOHMS MIN AT 100V DC AFTER 1 MINUTE,
 - DIELECTRIC WITHSTANDING VOLTAGE: 150V AC FOR 1 MINUTE,
 - CONTACT RESISTANCE: POWER/GROUND PIN: 30 mOHMS MAX.
- MECHANICAL CHARACTERISTICS:
 - INSERTION FORCE: 30.0 N MAX; EXTRACTION FORCE: 3.5 N MIN.
 - DURABILITY(INSERTION/EXTRACTION CYCLES): 5000 CYCLES.
 - OPERATING TEMPERATURE RANGE: -40°C~85°C.
 - HUMIDITY: 85% RH MAX.
 - P.C.B. LAYOUT DRAWING DIMMENSION DEFAULT TOLERANCE: ±0.05mm
 - RECOMMENDED P.C.B. THICKNESS: 1.20±0.05mm

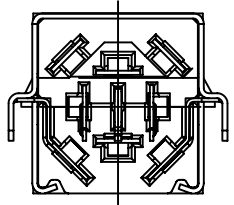
PROPOSAL



SECTION A-A



RECOMMENDED PCB LAYOUT



BACK VIEW

ITEM	DESC.	Q'TY	MATERIAL	FINISH	REMARK
6	ASSI. PIN	4	SUS304	GOLD PLATING AT CONTACT AREA	
5	CENTER PIN	1	COPPER ALLOY	PD/NI + GOLD PLATING ON THE CONTACT AREA	
4	CONTACT IN+	2	COPPER ALLOY	CONTACT AREA	
3	CONTACT IN-	2	COPPER ALLOY		
2	SHELL	1	COPPER ALLOY	NICKEL UNERPLATING OVERALL TIN PLATED AT THE TAIL AREA	
1	HOUSING	1	HI-TEMP THERMOPLASTIC UL 94V-0	MOLDED COLOR: BLACK	

ITEM	DESC.	Q'TY	MATERIAL	FINISH	REMARK	
X.±	X.±	1*	UNITS mm	NAME(INTENDE USE)	FOXCONN HON HAI PRECISION IND. CO.,LTD. TAIPEI, TAIWAN, R.O.C.	
.X±	.X±		MAT'L	DC POWER JACK		
.XX±	.XX±			PART NO.(INTENDE USE)		
.XXX±	.XXX±		FINISH	JPD113E-LB103-7F		
				APPD: Joel Bao	3/11'05	DWG NO.:
				CHKD: Chun-Sheng Li	3/11'05	305-0000-1362
				DR: Zhi-Qiang Chen	3/11'05	SCALE SHEET REV.
						N/A 1/1 X12

THESE DRAWINGS AND SPECIFICATIONS ARE THE PROPERTY OF HON HAI PRECISION IND. CO., LTD. AND SHALL NOT BE REPRODUCED, COPIED OR USED IN ANY MANNER WITHOUT THE PRIOR WRITTEN CONSENT OF HON HAI PRECISION IND. CO., LTD.